

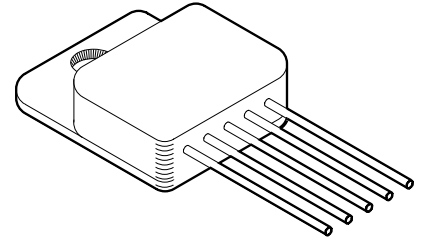


# DUAL POSITIVE/NEGATIVE, 3 AMP, ULTRA LOW DROPOUT FIXED VOLTAGE REGULATORS

# 5200 SERIES

## FEATURES:

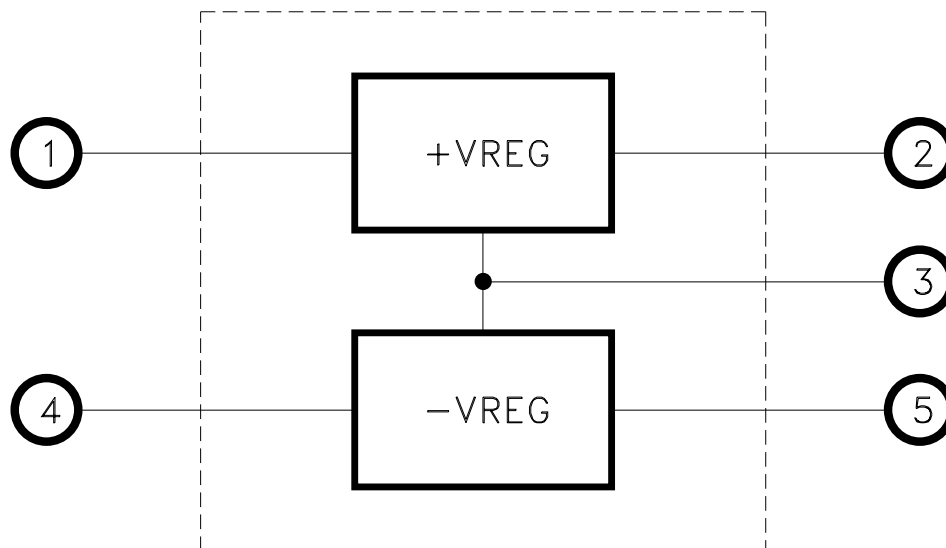
- Ultra Low Dropout Voltage
- Internal Short Circuit Current Limit
- Output Voltages Are Internally Set To  $\pm 1\%$  Maximum
- Electrically Isolated Case
- Internal Thermal Overload Protection
- Many Output Voltage Combinations
- Alternate Package and Lead Form Configurations Available



## DESCRIPTION:

The MSK5200 Series offers ultra low dropout voltages on both the positive and negative regulators. This, combined with the low  $\theta_{JC}$ , allows increased output current while providing exceptional device efficiency. Because of the increased efficiency, a small hermetic 5 pin package can be used providing maximum performance while occupying minimal board space. Output voltages are internally trimmed to  $\pm 1\%$  maximum resulting in consistent and accurate operation. Additionally, both regulators offer internal short circuit current and thermal limiting, which allows circuit protection and eliminates the need for external components and excessive derating.

## EQUIVALENT SCHEMATIC



## TYPICAL APPLICATIONS

- High Efficiency Linear Regulators
- Constant Voltage/Current Regulators
- System Power Supplies
- Switching Power Supply Post Regulators

## PIN-OUT INFORMATION

- |   |       |
|---|-------|
| 1 | +VIN  |
| 2 | +VOUT |
| 3 | GND   |
| 4 | -VIN  |
| 5 | -VOUT |

## ABSOLUTE MAXIMUM RATINGS

(12)

+VIN	Input Voltage (WRT VOUT) .....	±26V
PD	Power Dissipation .....	Internally Limited
IOUT	Output Current .....	±3.0A
TJ	Junction Temperature .....	+150°C

TST	Storage Temperature Range .....(13)	-65°C to +150°C
TLD	Lead Temperature Range (10 Seconds Soldering) .....	300°C
Tc	Case Operating Temperature Range MSK5200-5210 .....	-40°C to +125°C
	MSK5200H-5210H .....	-55°C to +125°C

## ELECTRICAL SPECIFICATIONS

Parameter	Test Conditions (1) (3)	Group A Subgroup	MSK5200H SERIES			MSK5200 SERIES			Units
			Min.	Typ.	Max.	Min.	Typ.	Max.	
<b>POSITIVE OUTPUT REGULATORS:</b>									
Output Voltage Tolerance	VIN = VOUT +1V IOUT = 0A	1	-	0.5	1.0	-	0.5	1.5	%
		2, 3	-	1.0	2.0	-	1.0	-	%
Dropout Voltage (2)	IOUT = 2A; ΔVOUT = -1%	1	-	350	600	-	350	625	mV
Load Regulation (10)	100mA ≤ IOUT ≤ 2.5A VIN = VOUT +1V	1	-	0.2	1.0	-	0.2	1.2	%
		2, 3	-	0.3	2.0	-	0.3	-	%
Line Regulation	IOUT = 0A (VOUT +1V) ≤ VIN ≤ (26V)	1	-	0.1	0.5	-	0.1	0.6	%
		2, 3	-	0.5	1.0	-	0.5	-	%
Quiescent Current	VIN = VOUT +1V; IOUT = 0A	1, 2, 3	-	10	15	-	10	15	mA
Short Circuit Current (2) (11)	VIN = VOUT +1V	1	-	4.5	5.0	-	4.5	5.0	A
Ripple Rejection (2)	IOUT = 3A; COUT = 25μF; f = 120Hz	4	60	75	-	60	75	-	dB
Thermal Resistance (2)	JUNCTION TO CASE @ 125°C	-	-	2.5	3.0	-	2.5	3.2	°C/W
<b>NEGATIVE OUTPUT REGULATORS: (9)</b>									
Output Voltage Tolerance	VIN = VOUT +1.5V IOUT = 0A	1	-	0.1	1.0	-	0.1	2.0	%
		2, 3	-	0.1	2.0	-	-	-	%
Dropout Voltage (2)	IOUT = 2A; ΔVOUT = -1%	1	-	550	700	-	550	750	mV
Load Regulation (10)	VIN = VOUT +1.5V 100mA ≤ IOUT ≤ 2.5A	1	-	0.3	1.5	-	0.3	1.7	%
		2, 3	-	0.5	2.5	-	0.5	-	%
Line Regulation	IOUT = 0A (VOUT +1.5V) ≤ VIN ≤ (26V)	1	-	0.1	0.5	-	0.1	0.6	%
		2, 3	-	0.5	1.0	-	0.5	-	%
Quiescent Current	VIN = VOUT +1.5V; IOUT = 0A	1, 2, 3	-	4.5	10	-	4.5	10	mA
Short Circuit Current (2) (11)	VIN = VOUT +1.5V	1	3.0	3.5	-	3.0	3.5	-	A
Ripple Rejection (2)	IOUT = 3A; COUT = 25μF; f = 120Hz	4	60	75	-	60	75	-	dB
Thermal Resistance (2)	JUNCTION TO CASE @ 125°C	-	-	4.7	5.9	-	4.7	5.9	°C/W

### NOTES:

- (1) Outputs are decoupled to ground using 33μF minimum tantalum capacitance unless otherwise specified.
- (2) This parameter is guaranteed by design but need not be tested. Typical parameters are representative of actual device performance but are for reference only.
- (3) All output parameters are tested using a low duty cycle pulse to maintain TJ = Tc
- (4) Industrial grade devices shall be tested to subgroups 1 and 4 unless otherwise specified.
- (5) Military grade devices ("H" suffix) shall be 100% tested to subgroups 1, 2, 3 and 4.
- (6) Subgroup 5 and 6 testing available upon request.
- (7) Subgroup 1, 4 Tc = +25°C  
2, 5 TJ = +125°C  
3, 6 TA = -55°C
- (8) Please consult the factory if alternate output voltages are required.
- (9) Input voltage (VIN = VOUT + a specified voltage) is implied to be more negative than VOUT
- (10) Due to current limit, maximum output current may not be available at all values of VIN-VOUT and temperatures. See typical performance curves for clarification.
- (11) The output current limit function provides protection from transient overloads but it may exceed the maximum continuous rating. Continuous operation in current limit may damage the device
- (12) Continuous operation at or above absolute maximum ratings may adversely effect the device performance and/or life cycle.
- (13) Internal solder reflow temperature is 180°C, do not exceed.

PART NUMBER (8)	OUTPUT VOLTAGES	
	POSITIVE	NEGATIVE
MSK5200	+3.3V	-5.2V
MSK5201	+5.0V	-5.0V
MSK5202	+5.0V	-5.2V
MSK5203	+12.0V	-5.0V
MSK5204	+12.0V	-12.0V
MSK5205	+15.0V	-15.0V
MSK5206	+15.0V	-5.0V
MSK5207	+5.0V	-12.0V
MSK5208	+5.0V	-15.0V
MSK5209	+10.0V	-10.0V
MSK 5210	+5.2V	-5.2V

## APPLICATION NOTES

### BYPASS CAPACITORS

For most applications a 47µF, tantalum capacitor should be attached as close to the regulator's output as possible. This will effectively lower the regulator's output impedance, improve transient response and eliminate any oscillations that may be normally associated with low dropout regulators. Additional bypass capacitors can be used at the remote load locations to further improve regulation. These can be either of the tantalum or the electrolytic variety. Unless the regulator is located very close to the power supply filter capacitor(s), a 4.7µF minimum tantalum capacitor should also be added to the regulator's input. An electrolytic may also be substituted if desired. When substituting electrolytic in place of tantalum capacitors, a good rule of thumb to follow is to increase the size of the electrolytic by a factor of 10 over the tantalum value.

### LOAD REGULATION

For best results the ground pin should be connected directly to the load as shown below. This effectively reduces the ground loop effect and eliminates excessive voltage drop in the sense leg. It is also important to keep the output connection between the regulator and the load as short as possible since this directly affects the load regulation. If 20 gauge wire were used as an example, which has a resistance of about 0.008 ohms per foot, this would result in a drop of 8mV/ft at 1Amp of load current. It is also important to follow the capacitor selection guidelines to achieve best performance. Refer to Figure 2 for connection diagram.

### MSK5202 TYPICAL APPLICATION:

#### Low Dropout Positive and Negative Power Supply

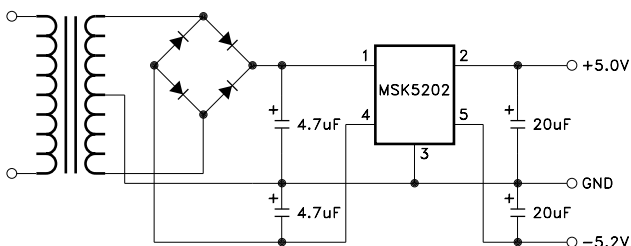


FIGURE 1

#### Avoiding Ground Loops

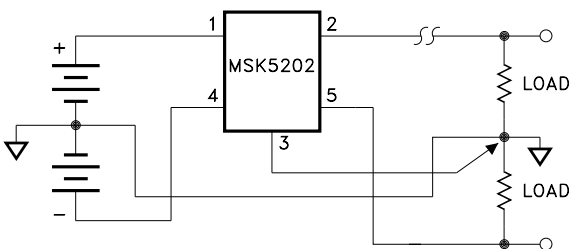


FIGURE 2

### OVERLOAD SHUTDOWN

The regulators feature both current and thermal overload protection. When the maximum power dissipation is not exceeded, the regulators will current limit slightly above their 3 amp rating. As the VIN-VOUT voltage increases, however, shutdown occurs in relation to the maximum power dissipation curve. If the device heats enough to exceed its rated die junction temperature due to excessive ambient temperature, improper heat sinking etc., the regulators also shutdown until an appropriate junction temperature is maintained. It should also be noted that in the case of an extreme overload, such as a sustained direct short, the device may not be able to recover. In these instances, the device must be shut off and power reapplied to eliminate the shutdown condition.

### HEAT SINKING

To determine if a heat sink is required for your application and if so, what type, refer to the thermal model and governing equation below.

Governing Equation:  $T_j = P_d \times (R_{\theta jc} + R_{\theta cs} + R_{\theta sa}) + T_a$

#### WHERE

$T_j$  = Junction Temperature  
 $P_d$  = Total Power Dissipation  
 $R_{\theta jc}$  = Junction to Case Thermal Resistance  
 $R_{\theta cs}$  = Case to Heat Sink Thermal Resistance  
 $R_{\theta sa}$  = Heat Sink to Ambient Thermal Resistance  
 $T_c$  = Case Temperature  
 $T_a$  = Ambient Temperature  
 $T_s$  = Heat Sink Temperature

#### EXAMPLE:

This example demonstrates an analysis where each regulator is at one-half of its maximum rated power dissipation, which occurs when the output currents are at 1.5 amps each. The negative regulator is worst case due to the larger thermal resistance.

Conditions for MSK5202:

$V_{IN} = \pm 7.0V$ ;  $I_{out} = \pm 1.5A$

- 1.) Assume 45° heat spreading model.
- 2.) Find regulator power dissipation:

$$P_d = (V_{IN} - V_{OUT})(I_{out})$$

$$P_d = (7-5)(1.5)$$

$$P_d = 3.0W$$

- 3.) For conservative design, set  $T_j = +125^\circ C$  Max.
- 4.) For this example, worst case  $T_a = +90^\circ C$ .
- 5.)  $R_{\theta jc} = 4.7^\circ C/W$  from the Electrical Specification Table.
- 6.)  $R_{\theta cs} = 0.15^\circ C/W$  for most thermal greases.
- 7.) Rearrange governing equation to solve for  $R_{\theta sa}$ :

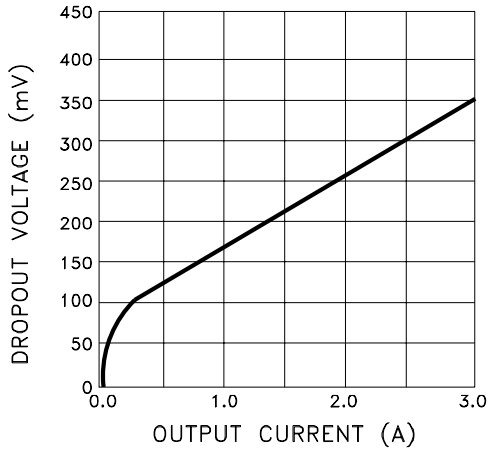
$$\begin{aligned} R_{\theta sa} &= ((T_j - T_a)/P_d) - (R_{\theta jc}) - (R_{\theta cs}) \\ &= (125^\circ C - 90^\circ C)/3.0W - (4.7^\circ C/W) - (0.15^\circ C/W) \\ &= 6.8^\circ C/W \end{aligned}$$

The same exercise must be performed for the negative regulator. In this case the result is 6.82°C/W. Therefore, a heat sink with a thermal resistance of no more than 6.8°C/W must be used in this application to maintain both regulator circuit junction temperatures under 125°C.

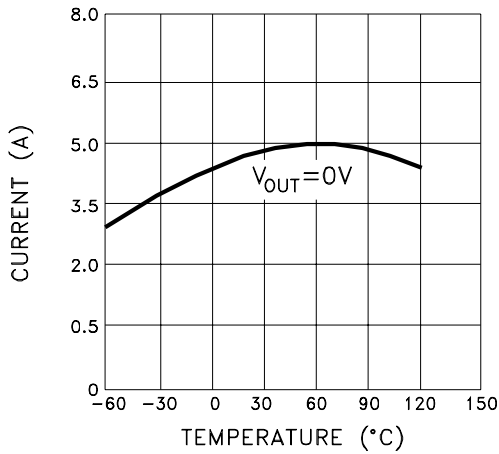
# TYPICAL PERFORMANCE CURVES

## POSITIVE REGULATORS

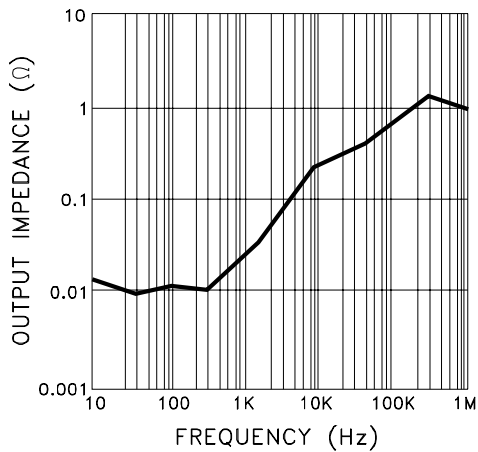
DROPOUT vs OUTPUT CURRENT



SHORT CIRCUIT CURRENT vs. TEMP.

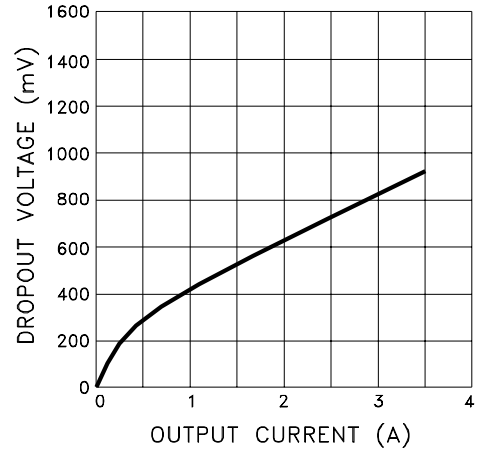


OUTPUT IMPEDANCE vs. FREQUENCY

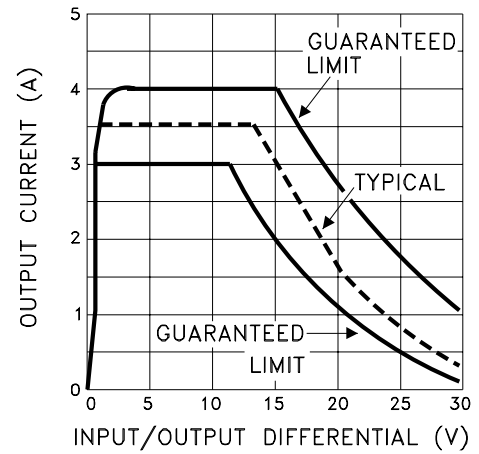


## NEGATIVE REGULATORS

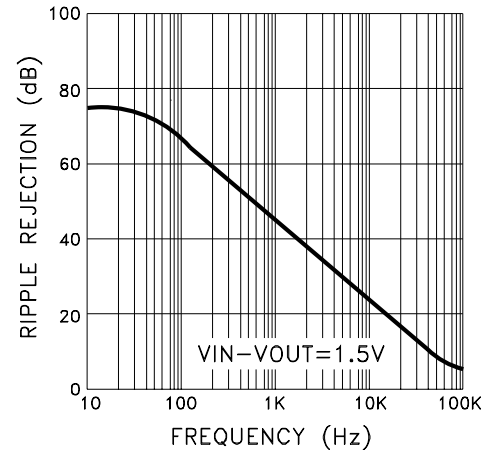
DROPOUT VOLTAGE vs. OUTPUT CURRENT



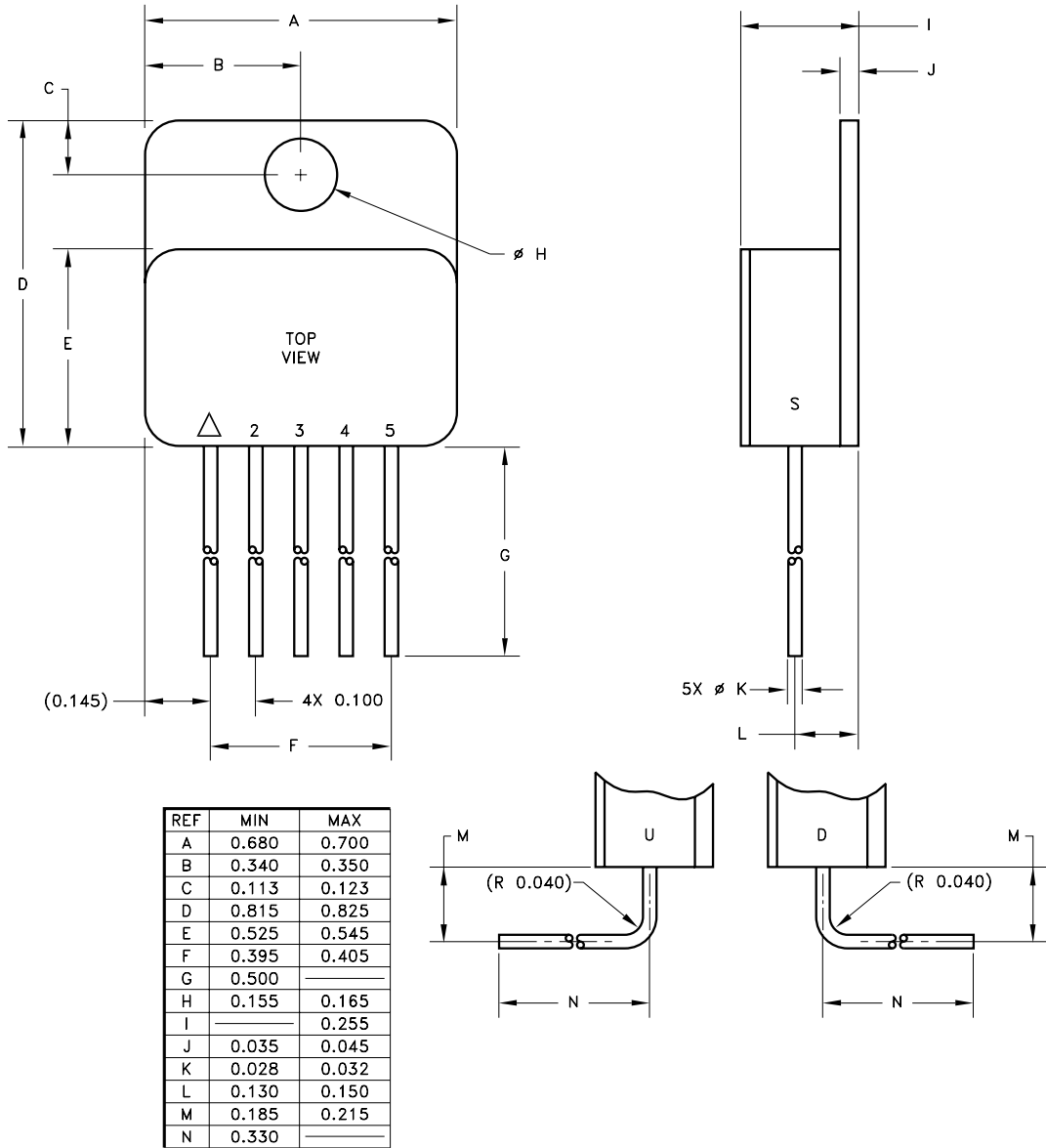
INTERNAL CURRENT LIMIT vs. VIN-VOUT



RIPPLE REJECTION vs. FREQUENCY



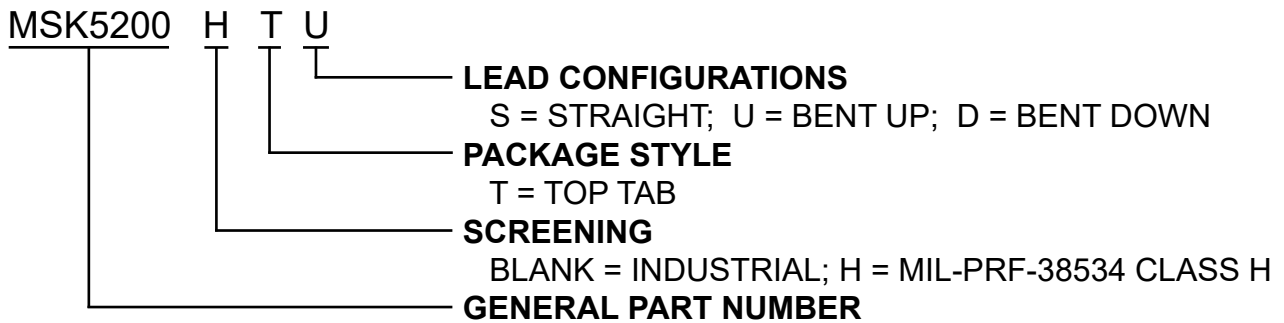
# MECHANICAL SPECIFICATIONS



ESD TRIANGLE INDICATES PIN 1  
WEIGHT = 7.7 GRAMS TYPICAL

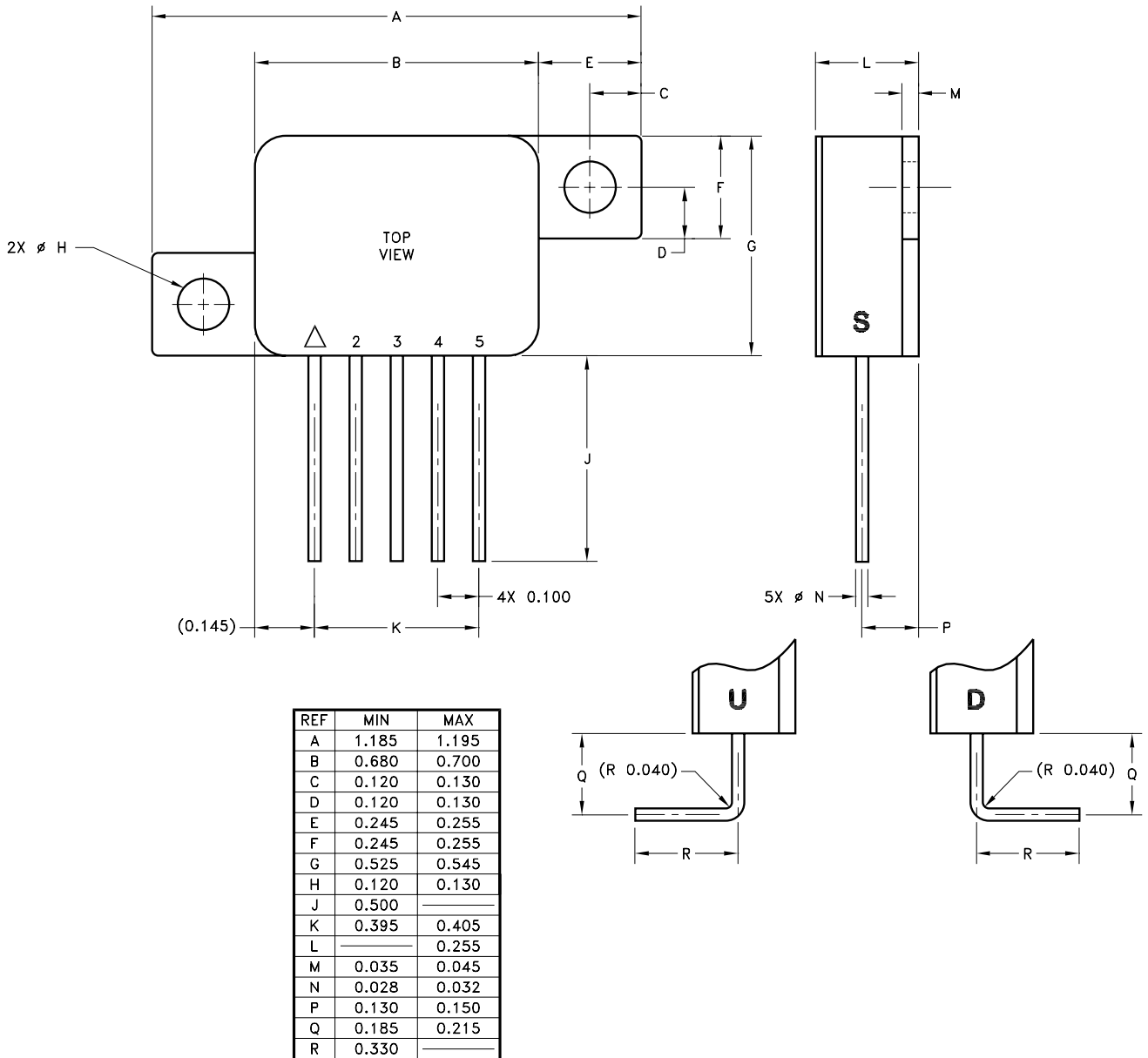
ALL DIMENSIONS ARE SPECIFIED IN INCHES

## ORDERING INFORMATION



THE ABOVE EXAMPLE IS A DUAL +3.3V, -5.2V MILITARY REGULATOR USING THE TOP TAB PACKAGE WITH LEADS BENT UP.

# MECHANICAL SPECIFICATIONS



ESD TRIANGLE INDICATES PIN 1  
WEIGHT = 8.1 GRAMS TYPICAL

ALL DIMENSIONS ARE SPECIFIED IN INCHES

## ORDERING INFORMATION

MSK5200 H Z U

### LEAD CONFIGURATIONS

S = STRAIGHT; U = BENT UP; D = BENT DOWN

### PACKAGE STYLE

Z = Z PACK

### SCREENING

BLANK = INDUSTRIAL; H = MIL-PRF-38534 CLASS H

### GENERAL PART NUMBER (VOLTAGE)

## REVISION HISTORY

REV	STATUS	DATE	DESCRIPTION
J	Released	12/16	INITIAL RELEASE
K	Released	04/23	Remove MIL-PRF-38535, update company name and website

TTM Technologies

[www.ttm.com](http://www.ttm.com)

---

The information contained herein is believed to be accurate at the time of printing. TTM Technologies reserves the right to make changes to its products or specifications without notice, however and assumes no liability for the use of its products. Please visit our website for the most recent revision of this data sheet.