

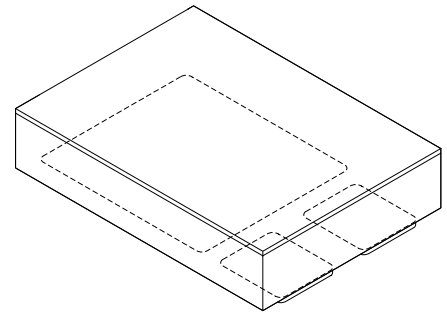


# VERY HIGH CURRENT, LOW DROPOUT SURFACE MOUNT VOLTAGE REGULATORS

# 5275 SERIES

## FEATURES:

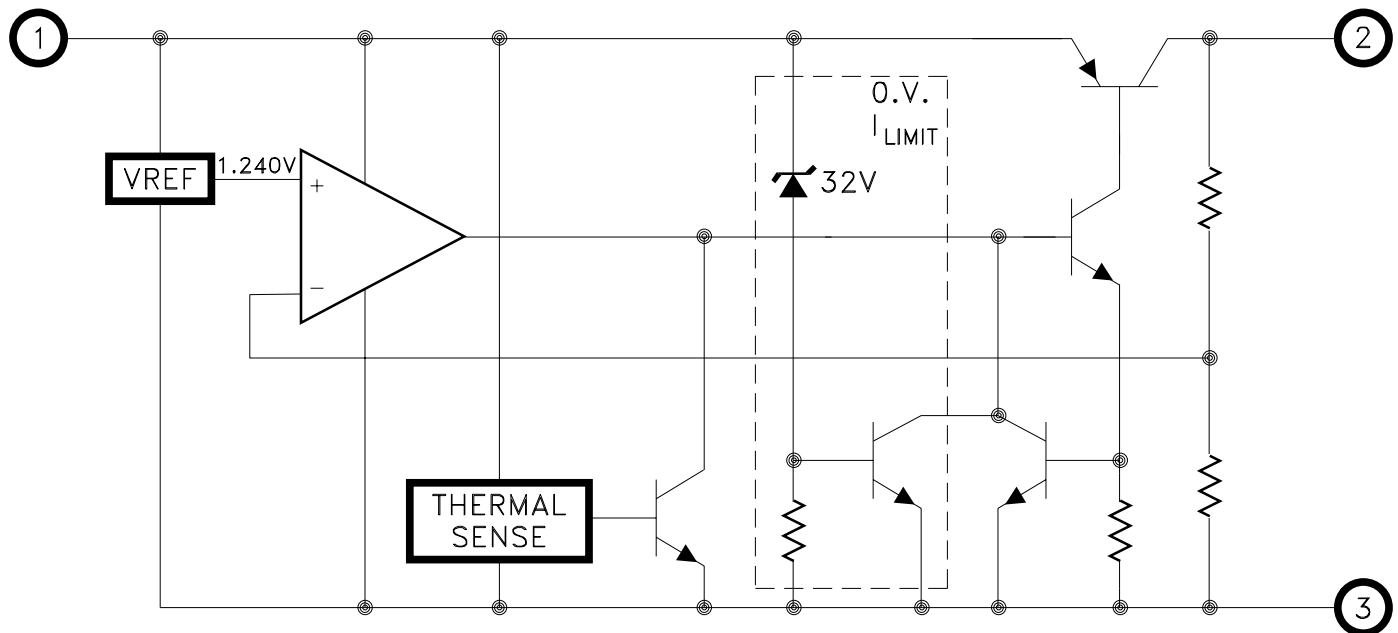
- Hermetic Surface Mount Package
- Extremely Low Dropout Voltage: 425mV @ 7.5 Amps
- Available in 1.5V, 1.7V, 1.8V, 1.9V, 2.0V, 2.5V, 3.3V, 3.4V, 5.0V and 12.0V
- On Board Thermal Shut Down
- Low Ground Current: 130mA Typical at Full Load
- 1% Maximum Guaranteed Accuracy
- Output Current to 7.5 Amps
- Alternate Output Voltages Available
- Available to DSCC SMD #5962-03232



## DESCRIPTION:

The MSK 5275 series voltage regulators are available in +1.5V, +1.7V, +1.8V, +1.9V, +2.0V, +2.5V, +3.3V, +3.4V, +5.0V and +12.0V output configurations. All boast ultra low dropout specifications due to the utilization of a super PNP output pass transistor with monolithic technology. Dropout voltages of 425mV at 7.5 amps are typical in this configuration, which drives efficiency up and power dissipation down. Accuracy is guaranteed with a 1% maximum output voltage tolerance. The MSK 5275 series is packaged in a space efficient 3 pin power surface mount ceramic package.

## EQUIVALENT SCHEMATIC



## TYPICAL APPLICATIONS

- High Efficiency, High Current Linear Regulators
- Constant Voltage/Current Regulators
- System Power Supplies
- Switching Power Supply Post Regulators
- Battery Powered Equipment

## PIN-OUT INFORMATION

- 1 VIN
  - 2 VOUT
  - 3 Ground
- LID=ISOLATED

## ABSOLUTE MAXIMUM RATINGS

⑩

V <sub>INP</sub>	Input Voltage (100mS 1% D.C.)	-20V TO +60V
V <sub>IN</sub>	Input Voltage	⑪.....26A
V <sub>EN</sub>	Enable Voltage	⑪.....-0.3V to 26V
I <sub>OUT</sub>	Output Current	.....7.5A

T <sub>ST</sub>	Storage Temperature Range	.....-65°C to +150°C
T <sub>LD</sub>	Lead Temperature (10 Seconds Soldering)	.....300°C
T <sub>J</sub>	Operating Temperature MSK5275 Series	.....-40°C to +85°C
	MSK5275H Series	.....-55°C to +125°C

## ELECTRICAL SPECIFICATIONS

Parameter	Test Conditions ①③	Group A Subgroup	MSK 5275H SERIES			MSK 5275 SERIES			Units
			Min.	Typ.	Max.	Min.	Typ.	Max.	
Output Voltage Tolerance	I <sub>OUT</sub> = 10 mA; V <sub>IN</sub> = V <sub>OUT</sub> +1V	1	-	±0.5	±1.0	-	±0.5	±1.0	%
		2, 3	-	±1.0	±2.0	-	-	-	%
Dropout Voltage ②	ΔV <sub>OUT</sub> = -1%; I <sub>OUT</sub> = 250 mA	1	-	80	200	-	80	225	mV
	ΔV <sub>OUT</sub> = -1%; I <sub>OUT</sub> = 7.0A	1	-	425	600	-	425	625	mV
Load Regulation ⑧	V <sub>IN</sub> = V <sub>OUT</sub> +1V 10 mA ≤ I <sub>OUT</sub> ≤ 7.0A	1	-	±0.2	±1.0	-	±0.2	±1.2	%
		2, 3	-	±0.3	±2.0	-	±0.3	-	%
Line Regulation	(V <sub>OUT</sub> +1V) ≤ V <sub>IN</sub> ≤ 18V R <sub>LOAD</sub> = 301 ohm	1	-	±0.05	±0.5	-	±0.05	±0.6	%
		2, 3	-	±0.5	±1.0	-	±0.5	-	%
Output Current Limit ② ⑨	V <sub>OUT</sub> = 0V; V <sub>IN</sub> = V <sub>OUT</sub> +1V	-	-	9.5	15	-	9.5	15	A
Ground Current ②	V <sub>IN</sub> = V <sub>OUT</sub> +1V; I <sub>OUT</sub> = 4A	-	-	45	85	-	45	90	mA
	V <sub>IN</sub> = V <sub>OUT</sub> +1V; I <sub>OUT</sub> = 7.0A	-	-	130	-	-	130	-	mA
Output Noise ②	C <sub>L</sub> = 33μF; 10 HZ ≤ f ≤ 100 KHZ	-	-	260	-	-	260	-	μV
Thermal Resistance ②	Junction to Case	-	-	1.0	1.2	-	1.0	1.5	°C/W
Thermal Shutdown ②	T <sub>J</sub>	-	-	130	-	-	130	-	°C

### NOTES:

- ① Output decoupled to ground using 33μF minimum capacitor unless otherwise specified.
- ② This parameter is guaranteed by design but need not be tested.  
Typical parameters are representative of actual device performance but are for reference only.
- ③ All output parameters are tested using a low duty cycle pulse to maintain T<sub>J</sub> = T<sub>C</sub>.
- ④ Industrial grade devices shall be tested to subgroup 1 unless otherwise specified.
- ⑤ Military grade devices ('H' suffix) shall be 100% tested to subgroups 1,2,3.
- ⑥ Subgroup 1 TC = +25°C  
2 TJ = +125°C  
3 TA = -55°C
- ⑦ Please consult the factory if alternate output voltages are required.
- ⑧ Due to current limit, maximum output current may not be available at all values of V<sub>IN</sub>-V<sub>OUT</sub> and temperatures.  
See typical performance curves for clarification.
- ⑨ The output current limit function provides protection from transient overloads but it may exceed the maximum continuous rating.  
Continuous operation in current limit may damage the device.
- ⑩ Continuous operation at or above absolute maximum ratings may adversely effect the device performance and/or life cycle.
- ⑪ At case temperatures greater than 110°C the regulator may not operate up to the maximum input voltage rating of 26V.

## APPLICATION NOTES

### REGULATOR PROTECTION:

The MSK 5275 series is fully protected against reversed input polarity, overcurrent faults, overtemperature conditions (Pd) and transient voltage spikes of up to 60V. If the regulator is used in dual supply systems where the load is returned to a negative supply, the output voltage must be diode clamped to ground.

### OUTPUT CAPACITOR:

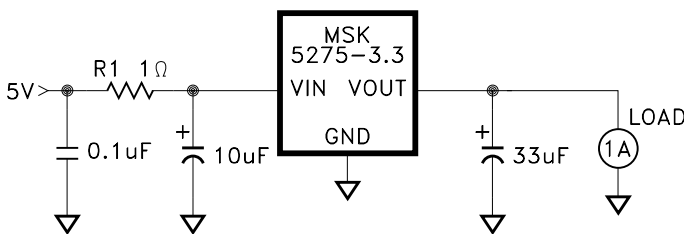
The output voltage ripple of the MSK 5275 series voltage regulators can be minimized by placing a filter capacitor from the output to ground. The optimum value for this capacitor may vary from one application to the next, but a minimum of 33µF is recommended for optimum performance. Transient load response can also be improved by placing a capacitor directly across the load. The capacitor should not be an ultra-low ESR type. Tantalum capacitors are best for fast load transients but aluminum electrolytics will work fine in most applications.

### LOAD CONNECTIONS

In voltage regulator applications where very large load currents are present, the load connection is very important. The path connecting the output of the regulator to the load must be extremely low impedance to avoid affecting the load regulation specifications. Any impedance in this path will form a voltage divider with the load.

### MINIMIZING POWER DISSIPATION:

Many applications can not take full advantage of the extremely low dropout specifications of the regulator due to large input to output voltage differences. The simple circuit below illustrates a method to reduce the input voltage at the regulator to just over the dropout specification to keep the internal power dissipation minimized:



For a given continuous maximum load of 1 amp, R1 can be selected to drop the voltage seen at the regulator to 4V. This allows for the output tolerance and dropout specifications. Input voltage variations (5V) also should be included in the calculations. The resistor should be sized according to the power levels required for the application.

### PACKAGE CONNECTIONS:

The MSK 5275 series are highly thermally conductive devices and the thermal path from the package heat sink to the internal junctions is very short. Standard surface mount soldering techniques should be used when mounting the device. Some applications may require additional heat sinking of the device.

### HEAT SINK SELECTION:

To select a heat sink for the MSK 5275, the following formula for convective heat flow may be used.

Governing Equation:

$$T_j = P_d \times (R_{\theta jc} + R_{\theta cs} + R_{\theta sa}) + T_a$$

WHERE:

- T<sub>j</sub> = Junction Temperature
- P<sub>d</sub> = Total Power Dissipation
- R<sub>θjc</sub> = Junction to Case Thermal Resistance
- R<sub>θcs</sub> = Case to Heat Sink Thermal Resistance
- R<sub>θsa</sub> = Heat Sink to Ambient Thermal Resistance
- T<sub>a</sub> = Ambient Temperature

First, the power dissipation must be calculated as follows:

$$\text{Power Dissipation} = (V_{in} - V_{out}) \times I_{out}$$

Next, the user must select a maximum junction temperature. The absolute maximum allowable junction temperature is 125°C. The equation may now be rearranged to solve for the required heat sink to ambient thermal resistance (R<sub>θsa</sub>).

EXAMPLE:

An MSK 5275-3.3 is configured for V<sub>in</sub> = +5V and V<sub>out</sub> = +3.3V. I<sub>out</sub> is a continuous 1A DC level. The ambient temperature is +25°C. The maximum desired junction temperature is 125°C.

R<sub>θjc</sub> = 1.0°C/W and R<sub>θcs</sub> = 0.5°C/W typically.

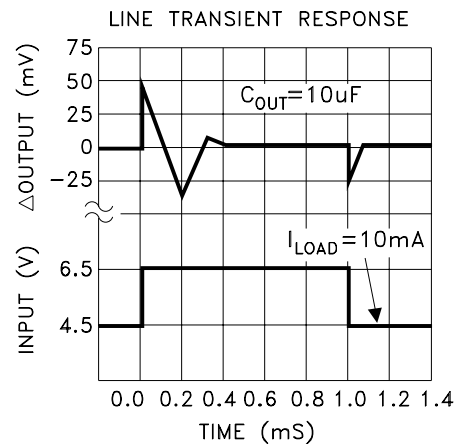
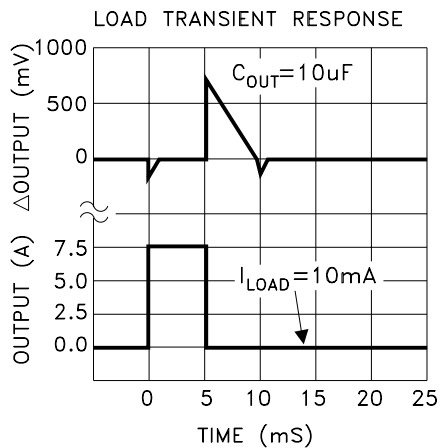
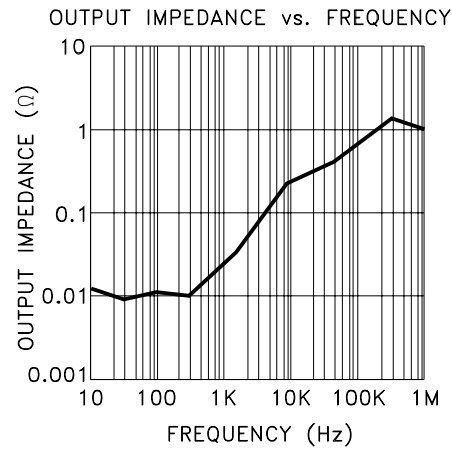
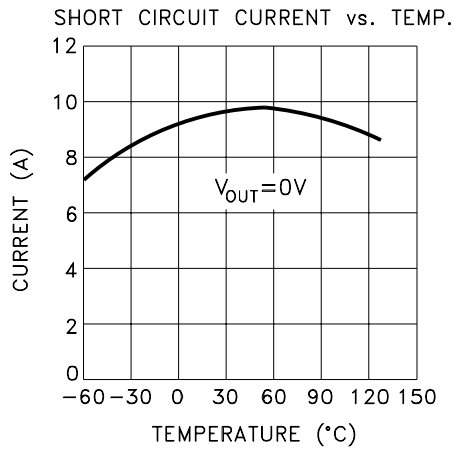
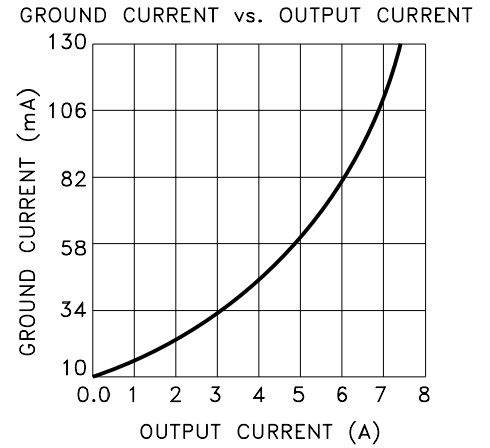
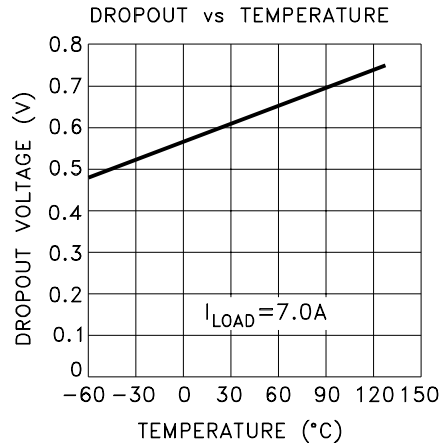
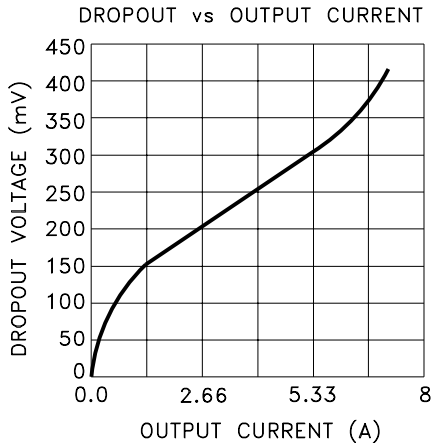
$$\begin{aligned} \text{Power Dissipation} &= (5V - 3.3V) \times (1A) \\ &= 1.7 \text{ Watts} \end{aligned}$$

Solve for R<sub>θsa</sub>:

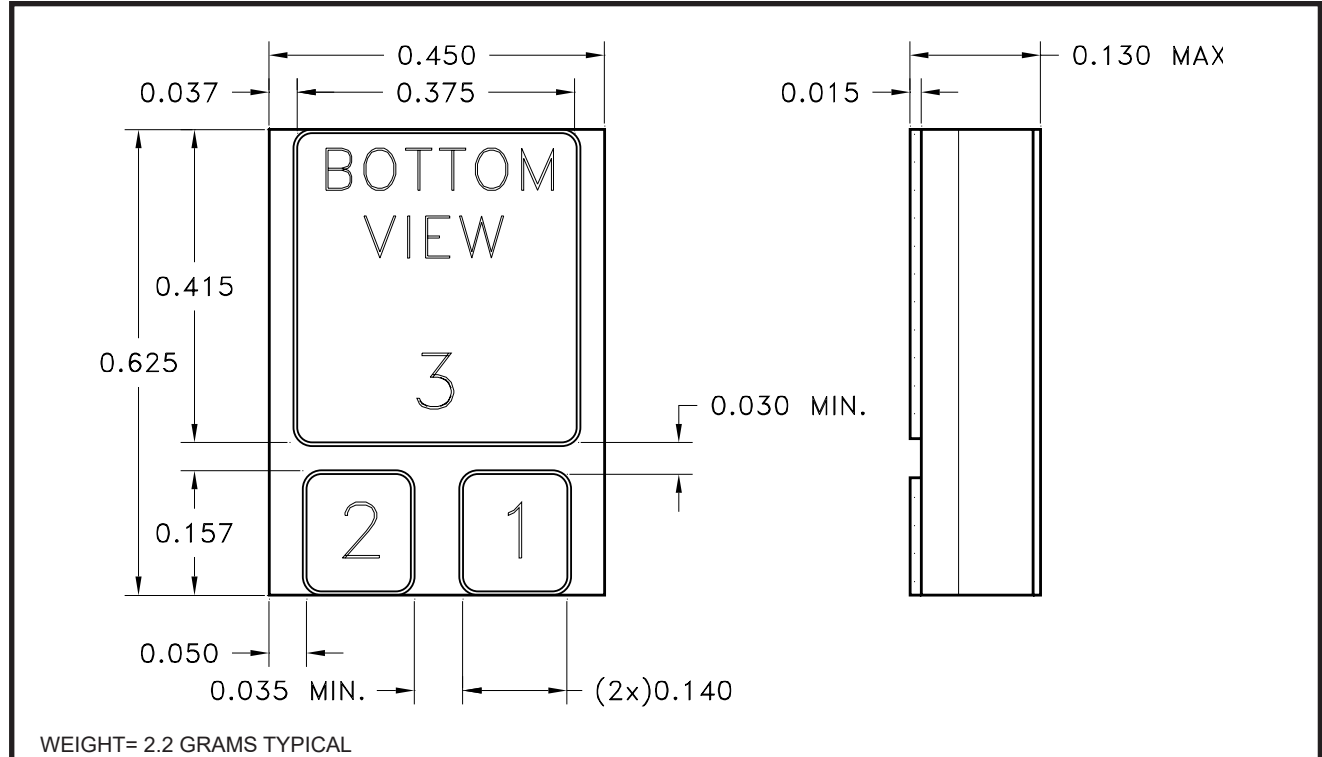
$$R_{\theta sa} = \left[ \frac{125^\circ\text{C} - 25^\circ\text{C}}{1.7\text{W}} \right] - 1.0^\circ\text{C/W} - 0.5^\circ\text{C/W}$$

In this example, a heat sink with a thermal resistance of no more than 57°C/W must be used to maintain a junction temperature of no more than 125°C.

# TYPICAL PERFORMANCE CURVES



## MECHANICAL SPECIFICATIONS



**NOTE:** ALL DIMENSIONS ARE  $\pm 0.010$  INCHES UNLESS OTHERWISE LABELED.

## ORDERING INFORMATION

MSK5275 - 3.3 H

**SCREENING**

BLANK = INDUSTRIAL; H = MIL-PRF-38534, CLASS H

**OUTPUT VOLTAGE**

1.5 = +1.5V; 1.7 = +1.7V; 1.8 = +1.8V; 1.9 = +1.9V; 2.0 = +2.0V;  
2.5 = +2.5V; 3.3 = +3.3V; 3.4 = +3.4V; 5.0 = +5.0V; 12 = +12.0V

**GENERAL PART NUMBER**

The above example is a +3.3V, Military regulator.

**NOTE:** See *DSCC SMD 5962-03232* for DSCC part number options.

## REVISION HISTORY

REV	STATUS	DATE	DESCRIPTION
K	Released	04/20	Update the line regulation condition from 26V to 18V. Add note to ABS max Vin limiting to ABS max at 110°C or below

ANAREN, MSK Products  
[www.anaren.com/msk](http://www.anaren.com/msk)

---

The information contained herein is believed to be accurate at the time of printing. Anaren, MSK products reserves the right to make changes to its products or specifications without notice, however and assumes no liability for the use of its products.  
Please visit our website for the most recent revision of this datasheet.