




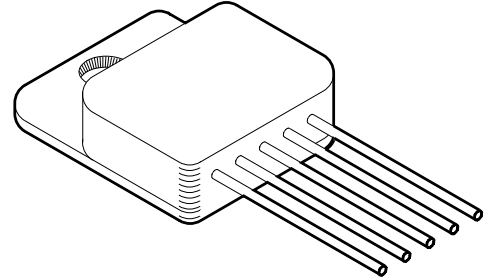
M.S.KENNEDY CORP.

**RAD HARD  
ULTRA LOW DROPOUT  
POSITIVE LINEAR REGULATOR**

**5820RH  
SERIES**

**FEATURES:**

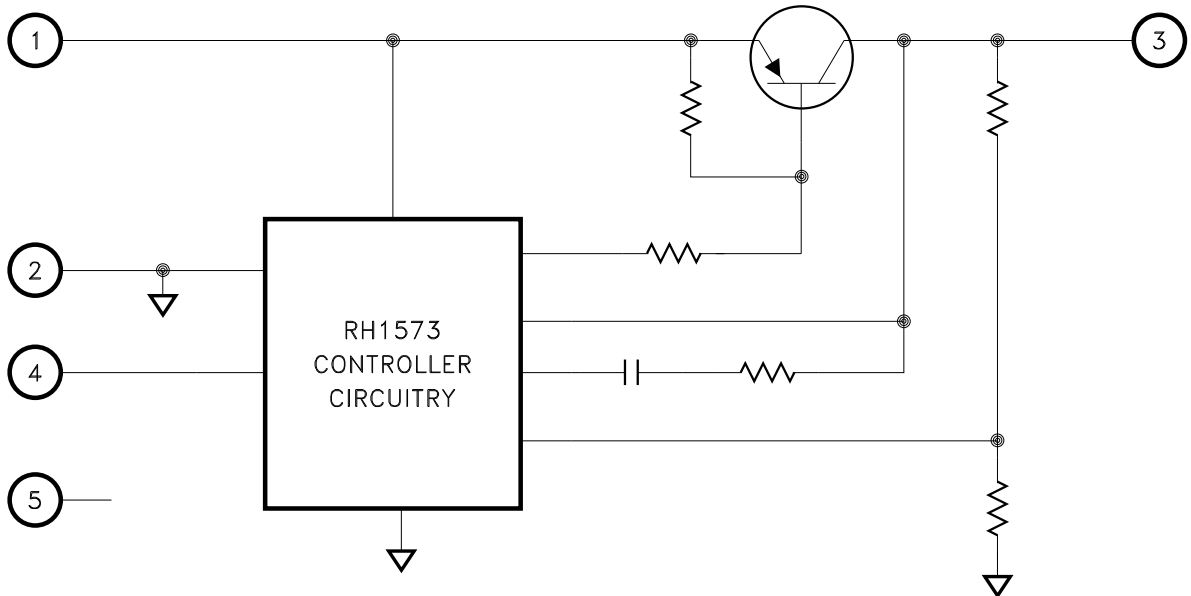
- Manufactured using  Space Qualified RH1573 Die
- New "Harder" Version of MSK 5920RH
- Total Dose Hardened to 300 Krads(Si) (Method 1019.7 Condition A)
- Ultra Low Dropout for Reduced Power Consumption
- External Shutdown Function
- Latching Overload Protection
- Available in 1.5V, 1.8V, 1.9V, 2.5V, 2.8V, 3.3V and 5.0V Output Voltages
- Alternate Output Voltages Available
- Output Current Limit
- Available in 4 Lead Form Options: Straight, Up, Down and Gull Wing
- Replaces IR OMR9601 and IRUH33PXXXB/IRUH50PXXXB
- ELDRS Tested to 100 Krads(Si) (Method 1019.7 Condition D)
- Neutron Tested to  $1.0 \times 10^{12}$  n/cm<sup>2</sup> (Method 1017.2)
- Available to DLA SMD 5962F09216



**DESCRIPTION:**

The MSK5820RH is a rad hard fixed linear regulator capable of delivering 5.0 amps of output current. Typical dropout is only 0.22 volts with a 2.5 amp load. An external shutdown function is ideal for power supply sequencing. This device also has internal latching overload protection. The MSK5820RH is radiation hard and specifically designed for space/satellite applications. The device is packaged in a hermetically sealed space efficient 5 pin SIP that is electrically isolated from the internal circuitry allowing for direct heat sinking.

**EQUIVALENT SCHEMATIC**



**TYPICAL APPLICATIONS**

- Satellite System Power Supplies
- Switching Power Supply Post Regulators
- Constant Voltage/Current Regulators
- Microprocessor Power Supplies

**PIN-OUT INFORMATION**

- 1 VIN
  - 2 GND
  - 3 VOUT
  - 4 SHUTDOWN
  - 5 N/C
- CASE = ISOLATED

 and the Linear Technology logo are registered trademarks and RH1573 is a copyright of Linear Technology Corporation

## ABSOLUTE MAXIMUM RATINGS <sup>⑧</sup>

|                  |                                       |                 |
|------------------|---------------------------------------|-----------------|
| V <sub>IN</sub>  | Supply Voltage . . . . .              | +10V            |
| V <sub>SD</sub>  | Shutdown Voltage . . . . .            | 10V             |
| I <sub>OUT</sub> | Output Current <sup>⑦</sup> . . . . . | 5A              |
| T <sub>C</sub>   | Case Operating Temperature Range      |                 |
|                  | MSK5820K/H RH . . . . .               | -55°C to +125°C |
|                  | MSK5820RH . . . . .                   | -40°C to +85°C  |

|                 |   |                 |
|-----------------|---|-----------------|
| T <sub>ST</sub> | Storage Temperature Range <sup>⑬</sup>        | -65°C to +150°C |
| T <sub>LD</sub> | Lead Temperature Range (10 Seconds) . . . . . | 300°C           |
| P <sub>D</sub>  | Power Dissipation . . . . .                   | See SOA Curve   |
| T <sub>C</sub>  | Junction Temperature . . . . .                | 150°C           |

## ELECTRICAL SPECIFICATIONS

| Parameter                                      | Test Conditions <sup>①</sup> <sup>⑨</sup> <sup>⑪</sup>   | Group A Subgroup | MSK5820K/HRH |       |       | MSK5820RH |      |       | Units |
|--|--|------------------|--------------|-------|-------|-----------|------|-------|-------|
|  |  |                  | Min.         | Typ.  | Max.  | Min.      | Typ. | Max.  |       |
| Input Voltage Range <sup>②</sup>               | 10mA < I <sub>OUT</sub> < 1.0A   | 1                | 2.9          | -     | 6.5   | 2.9       | -    | 6.5   | V     |
|  |  | 2,3              | 2.9          | -     | 6.5   | -         | -    | -     | V     |
| Quiescent Current                              | V <sub>IN</sub> = 6.5V   | 1                | -            | 14    | 20    | -         | 14   | 20    | mA    |
|  | Not including I <sub>OUT</sub>   | 2,3              | -            | 14    | 20    | -         | -    | -     | mA    |
| Output Voltage Tolerance                       | V <sub>IN</sub> = V <sub>OUT</sub> + 1V<br>I <sub>OUT</sub> = 1A                               | 1                | -            | ±0.1  | ±1.0  | -         | ±0.1 | ±1.2  | %     |
|  |  | 2,3              | -            | -     | ±2.5  | -         | -    | -     | %     |
|  |  | 1                | -            | -     | 2.1   | -         | -    | 2.2   | %     |
|  |  | 1                | -            | -     | 3.1   | -         | -    | 3.2   | %     |
| Line Regulation <sup>⑨</sup>                   | I <sub>OUT</sub> = 50mA<br>V <sub>OUT</sub> + 0.4V < V <sub>IN</sub> < V <sub>OUT</sub> + 1.3V | 1                | -            | ±0.1  | ±0.50 | -         | 0.01 | ±0.60 | %     |
|  |  | 2,3              | -            | -     | ±2.5  | -         | -    | -     | %     |
| Load Regulation <sup>⑨</sup>                   | 50mA < I <sub>OUT</sub> < 3.0A<br>V <sub>IN</sub> = V <sub>OUT</sub> + 1V                      | 1                | -            | ±0.06 | ±0.80 | -         | 0.06 | ±1.0  | %     |
|  |  | 2,3              | -            | -     | ±2.5  | -         | -    | -     | %     |
| Dropout Voltage <sup>⑩</sup>                   | Delta V <sub>OUT</sub> = 1% I <sub>OUT</sub> = 2.5A  | 1                | -            | 0.22  | 0.40  | -         | 0.22 | 0.45  | V     |
|  |  | 2,3              | -            | 0.26  | 0.40  | -         | -    | -     | V     |
| Minimum Output Current <sup>②</sup>            | 2.9V < V <sub>IN</sub> < 6.5V  | 1                | -            | 8     | 10    | -         | 8    | 10    | mA    |
|  |  | 2,3              | -            | 9     | 10    | -         | -    | -     | mA    |
| Output Current Limit <sup>⑦</sup> <sup>⑨</sup> | V <sub>IN</sub> = V <sub>OUT</sub> + 1V Overcurrent Latch Up                                   | 1                | 3.0          | -     | 5     | 3.0       | -    | 5     | A     |
|  |  | 2,3              | 3.0          | -     | 5     | -         | -    | -     | A     |
| Shutdown Threshold                             | V <sub>OUT</sub> < 0.2V (OFF)  | 1                | 1.0          | 1.3   | 1.6   | 1.0       | 1.3  | 1.6   | V     |
|  | V <sub>OUT</sub> = Nominal (ON)  | 2,3              | 1.0          | 1.3   | 1.6   | -         | -    | -     | V     |
| Ripple Rejection <sup>②</sup>                  | f = 120Hz<br>I <sub>OUT</sub> = 50mA   | 4                | 65           | -     | -     | 65        | -    | -     | dB    |
|  |  | 5,6              | 65           | -     | -     | -         | -    | -     | dB    |
| Thermal Resistance <sup>②</sup>                | Junction to Case @ 125°C Output Device   | -                | -            | 2.5   | 2.9   | -         | 2.5  | 2.9   | °C/W  |

| PART NUMBER | OUTPUT VOLTAGE |
|-------------|----------------|
| MSK5820-1.5 | +1.5V          |
| MSK5820-1.8 | +1.8V          |
| MSK5820-1.9 | +1.9V          |
| MSK5820-2.5 | +2.5V          |
| MSK5820-2.8 | +2.8V          |
| MSK5820-3.3 | +3.3V          |
| MSK5820-5.0 | +5.0V          |

### NOTES:

- ① Unless otherwise specified, V<sub>IN</sub> = V<sub>OUT</sub> + 1V, V<sub>SHUTDOWN</sub> = 0V and I<sub>OUT</sub> = 10mA. See figure 2 for typical test circuit.
- ② Guaranteed by design but not tested. Typical parameters are representative of actual device performance but are for reference only.
- ③ Industrial grade devices shall be tested to subgroups 1 and 4 unless otherwise requested.
- ④ Military grade devices ("H" and "K" suffix) shall be 100% tested to subgroups 1,2,3 and 4.
- ⑤ Subgroup 5 and 6 testing available upon request.
- ⑥ Subgroup 1,4 T<sub>C</sub> = +25°C  
Subgroup 2,5 T<sub>C</sub> = +125°C  
Subgroup 3,6 T<sub>A</sub> = -55°C
- ⑦ Output current limit is dependent upon the values of V<sub>IN</sub> and V<sub>OUT</sub>. See Figure 1 and typical performance curves.
- ⑧ Continuous operation at or above absolute maximum ratings may adversely effect the device performance and/or life cycle.
- ⑨ V<sub>IN</sub> shall be as specified or V<sub>IN</sub> min., whichever is greater.
- ⑩ Not applicable to versions where V<sub>IN</sub> = V<sub>IN</sub> Min.
- ⑪ Pre and post irradiation limits at 25°C, up to 300Krad TID, are identical unless otherwise specified.
- ⑫ Reference DLA SMD 5962F09216 for electrical specification for devices purchased as such.
- ⑬ Internal solder reflow temperature is 180°C, do not exceed.

## APPLICATION NOTES

### PIN FUNCTIONS

**VIN** - This pin provides power to all internal circuitry including bias, start-up, thermal limit and overcurrent latch. Input voltage range is 2.9V to 6.5V.

**GND** - Internally connected to ground, this pin should be connected externally by the user to the circuit ground.

**SHUTDOWN** - There are two functions to the SHUTDOWN pin. It may be used to disable the output voltage or to reset a current latch condition. To activate the shutdown/reset functions the user must apply a voltage greater than 1.6V to the SHUTDOWN pin. The voltage applied to the SHUTDOWN pin can be greater than the input voltage. The output voltage will turn on when the SHUTDOWN pin is pulled below the threshold voltage. If the SHUTDOWN pin is not used, it should be connected to ground. It should be noted that with the shutdown pin tied to ground, a current latch condition can only be reset by cycling power off, then on.

**VOUT** - This is the output pin for the device.

### OVERCURRENT LATCH

Overcurrent protection is provided by the MSK5820RH series through the use of a timed latch off circuit. The internal latch timeout is triggered by an overcurrent condition. To allow for start up surge currents, the timeout is approximately 5.5mS at 25°C. If the overcurrent condition remains at the end of the timeout cycle, the regulator will latch off until the latch is reset. Reset the latch by pulling the shutdown pin high or cycling VIN off then back on. A thermal limit condition will trigger the latch with no time out delay.

### INPUT POWER SUPPLY BYPASSING

To maximize transient response and minimize power supply transients it is recommended that two 47 $\mu$ F tantalum capacitors are connected between VIN and ground. A 0.1 $\mu$ F ceramic capacitor should also be used for high frequency bypassing. See typical application circuit.

### OUTPUT CAPACITOR SELECTION

Low ESR output capacitors are required to maintain regulation and stability. Four CWR29FB227 (AVX PN TAZH227K010L) tantalum capacitors in parallel with ceramic decoupling capacitors (0.1 $\mu$ F typical) provides sufficient gain and phase margin for most applications. The maximum ESR specification for the CWR29FB227 capacitor is 180m $\Omega$  at 100kHz and is sufficient for many applications. MSK has found through full WCCA that screening for a maximum ESR of 57m $\Omega$  ensures EOL stability criteria to be met for many applications with the most stringent requirements. The typical ESR of the TAZH227K010L from AVX is 49m $\Omega$ . Analysis of the final design is recommended to ensure stability requirements are met.

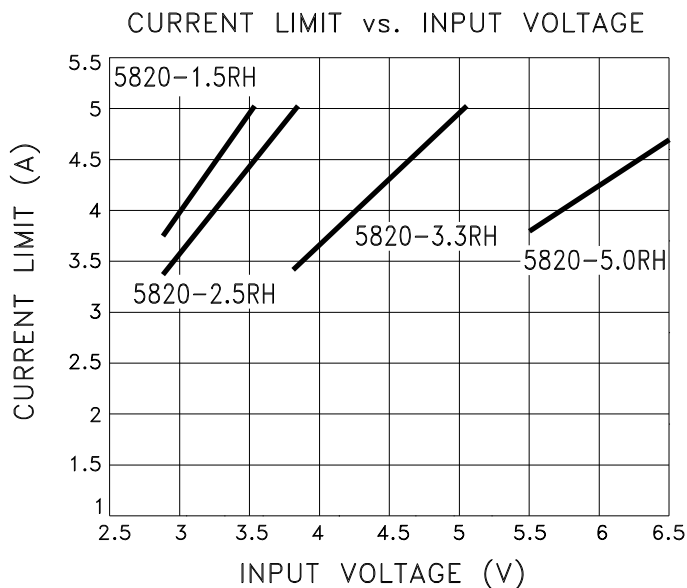


FIGURE 1

### CURRENT LIMIT AND SOA

The MSK5820RH current limit function is directly affected by the input and output voltages. Figure 1 illustrates the relationship between VIN and ICL for various output voltages. It is very important for the user to consult the SOA curve when using input voltages which result in current limit conditions beyond 4.5 Amps. When using input voltages which result in current limit above 4.5 Amps, the user must maintain output current within the SOA curve to avoid damage to the device. Note that 5 Amp maximum is due to current carrying capability of the internal wirebonds.

### REPLACING THE OMR9601/IRUH33P253AIM

When the MSK5820-2.5RH is used as a replacement for the IR OMR9601 or IRUH33P253B, the user should recognize that the MSK5820-2.5RH does not contain internal tantalum capacitors on the input and output.

### START UP CURRENT

The MSK5820RH sinks increased current during startup to bring up the output voltage. Reference the "Saturated Drive Current vs. Input Voltage" graph in the typical performance curves of this data sheet and the "Understanding Startup Surge Current With MS Kennedy's RH1573 Based Rad Hard LDO Regulators" application note in the application notes section of the MS Kennedy Web site for more information.

<http://www.mskennedy.com/>

## APPLICATION NOTES CONT.

### THERMAL LIMITING

The MSK5820RH control circuitry has a thermal shutdown temperature of approximately 150°C. This thermal shutdown can be used as a protection feature, but for continuous operation, the junction temperature of the pass transistor must be maintained below 150°C. Proper heat sink selection is essential to maintain these conditions. Exceeding the thermal limit activates the latch feature of the MSK5820RH. Toggle the shutdown pin high then low or cycle power to reset the latch. See shutdown pin description and overcurrent latch description for more information.

### HEAT SINK SELECTION

To select a heat sink for the MSK5820RH, the following formula for convective heat flow may be used.

#### Governing Equation:

$$T_J = P_D \times (R_{\theta JC} + R_{\theta CS} + R_{\theta SA}) + T_A$$

Where

|                 |   |   |
|-----------------|---|---|
| $T_J$           | = | Junction Temperature                    |
| $P_D$           | = | Total Power Dissipation                 |
| $R_{\theta JC}$ | = | Junction to Case Thermal Resistance     |
| $R_{\theta CS}$ | = | Case to Heat Sink Thermal Resistance    |
| $R_{\theta SA}$ | = | Heat Sink to Ambient Thermal Resistance |
| $T_A$           | = | Ambient Temperature                     |

$$\text{Power Dissipation} = (V_{IN} - V_{OUT}) \times I_{OUT}$$

Next, the user must select a maximum junction temperature. The absolute maximum allowable junction temperature is 150°C. The equation may now be rearranged to solve for the required heat sink to ambient thermal resistance ( $R_{\theta SA}$ ).

#### Example:

An MSK5820-2.5RH is connected for  $V_{IN} = +3.3V$  and  $V_{OUT} = +2.5V$ .  $I_{OUT}$  is a continuous 3A DC level. The ambient temperature is +25°C. The maximum desired junction temperature is +125°C.

$R_{\theta JC} = 4.0^\circ C/W$  and  $R_{\theta CS} = 0.15^\circ C/W$  for most thermal greases

$$\text{Power Dissipation} = (3.3V - 2.5V) \times (3A) = 2.4 \text{ Watts}$$

Solve for  $R_{\theta SA}$ :

$$R_{\theta SA} = \left[ \frac{125^\circ C - 25^\circ C}{2.4W} \right] - 2.9^\circ C/W - 0.15^\circ C/W = 38.6^\circ C/W$$

In this example, a heat sink with a thermal resistance of no more than 38.6°C/W must be used to maintain a junction temperature of no more than 125°C.

### TYPICAL APPLICATIONS CIRCUIT

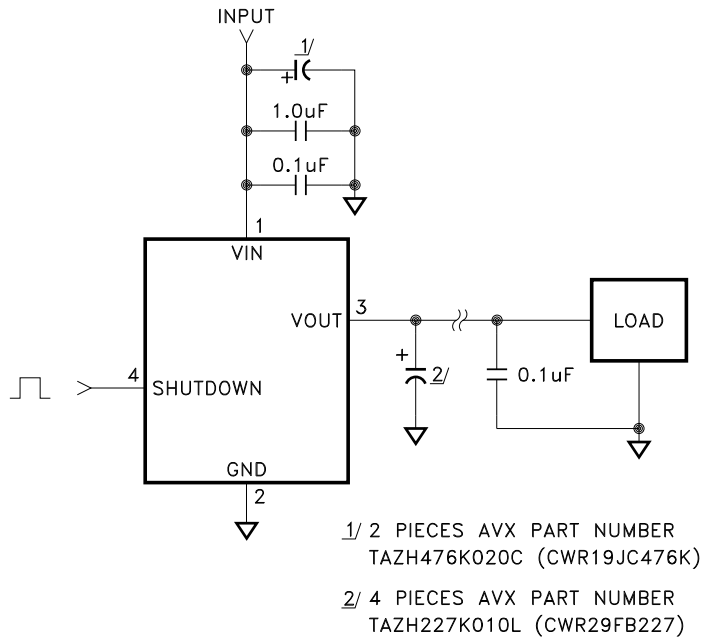


FIGURE 2

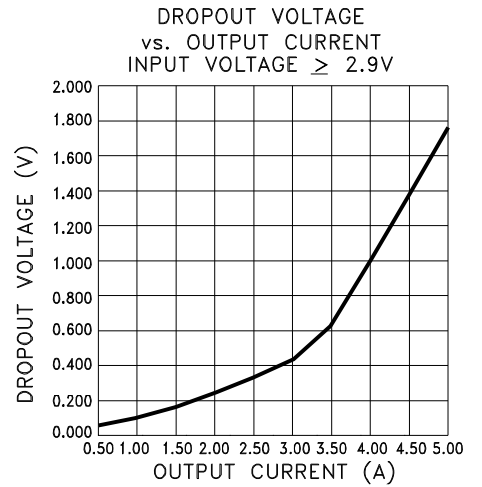
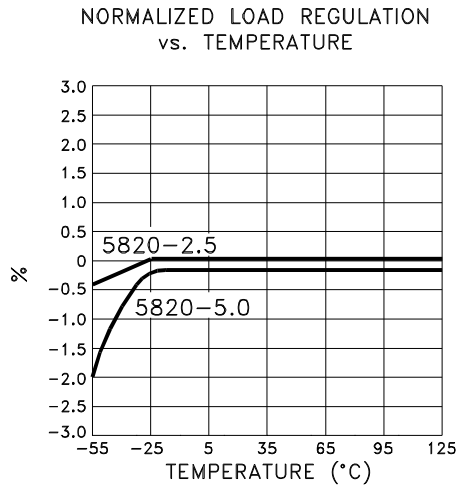
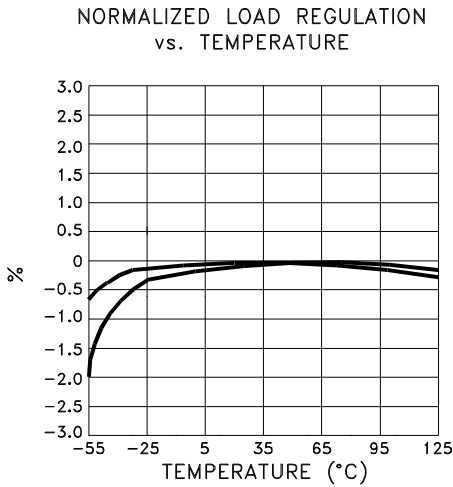
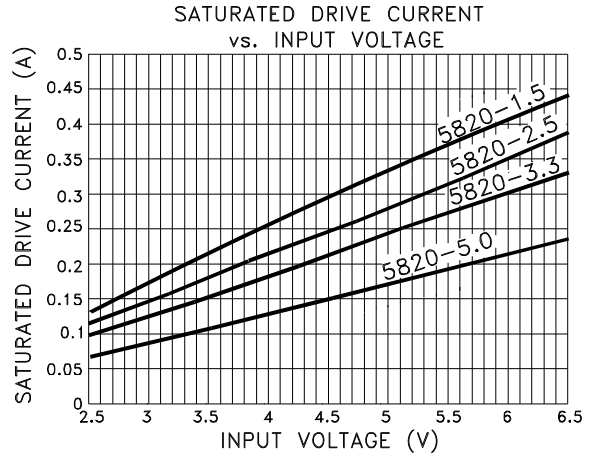
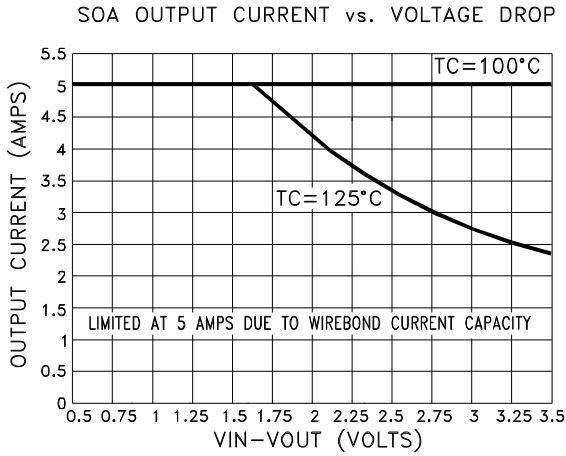
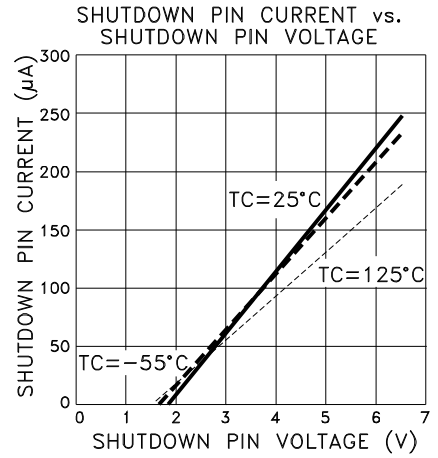
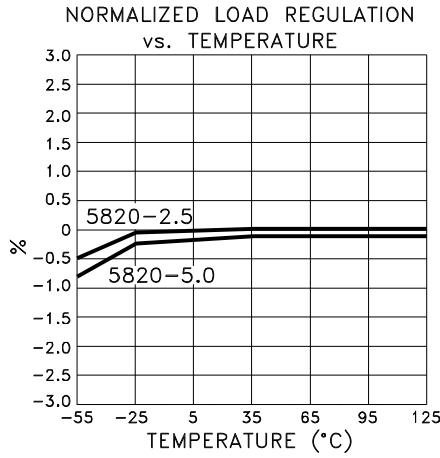
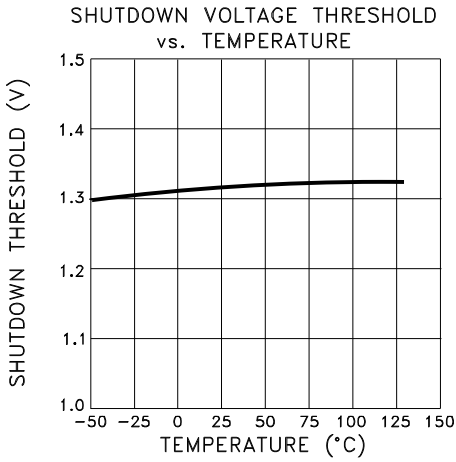
### TOTAL DOSE RADIATION TEST PERFORMANCE

Radiation performance curves for TID testing have been generated for all radiation testing performed by MS Kennedy. These curves show performance trends throughout the TID test process and can be located in the MSK5810RH radiation test report. The complete radiation test report is available in the RAD HARD PRODUCTS section on the MSK website.

<http://www.mskennedy.com/store.asp?pid=9951&catid=19680>

Reference the MSK5826RH RAD REPORT for ELDRS and Neutron results.

# TYPICAL PERFORMANCE CURVES

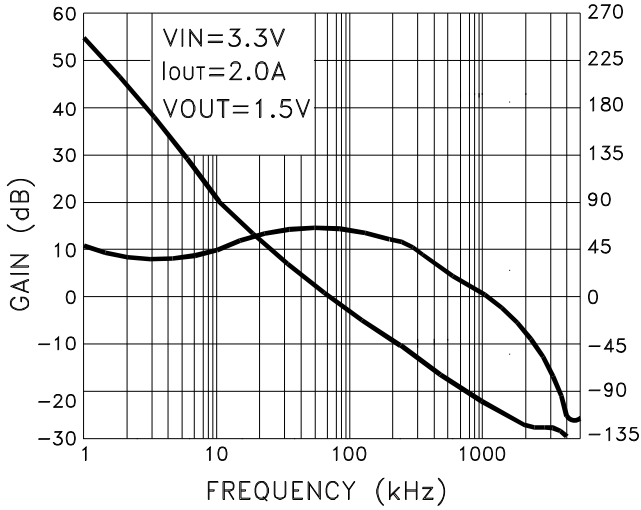


# TYPICAL PERFORMANCE CURVES

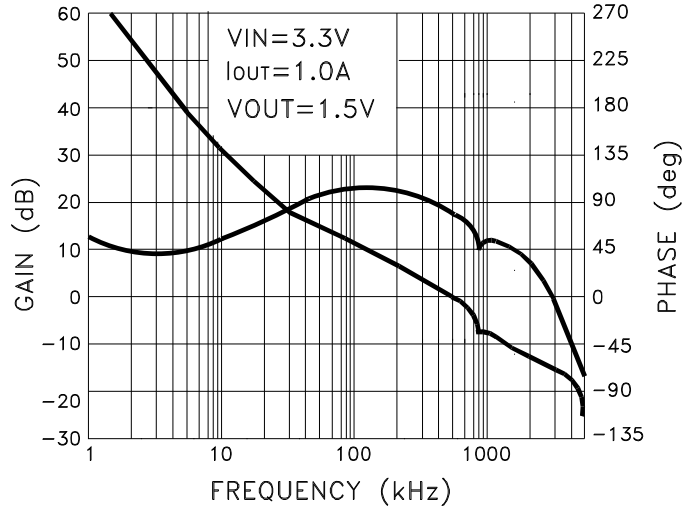
## GAIN AND PHASE RESPONSE

The gain and phase response curves are for the MSK5820 typical application circuit at 25°C and are representative of typical device performance, but are for reference only. The performance should be analyzed for each application to insure individual program requirements are met. External factors such as temperature, input and output voltages, capacitors, etc. all can be major contributors. Please consult factory for additional details.

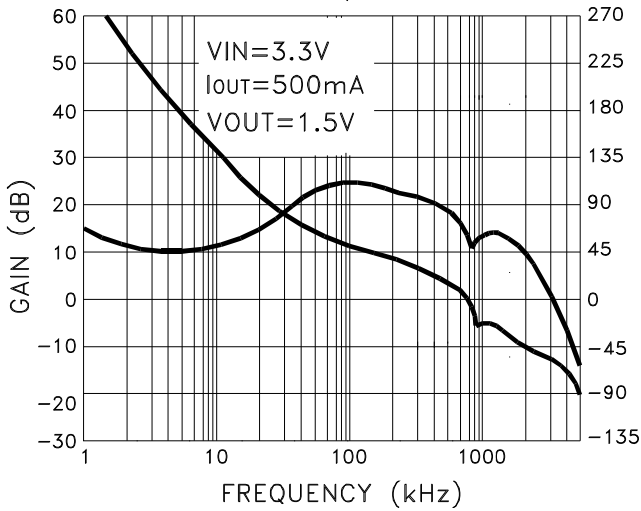
MSK5820-1.5RH GAIN AND PHASE vs. FREQUENCY



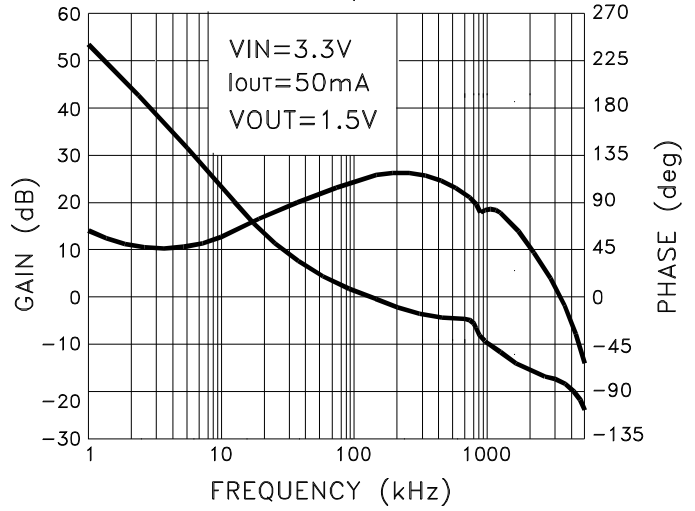
MSK5820-1.5RH GAIN AND PHASE vs. FREQUENCY



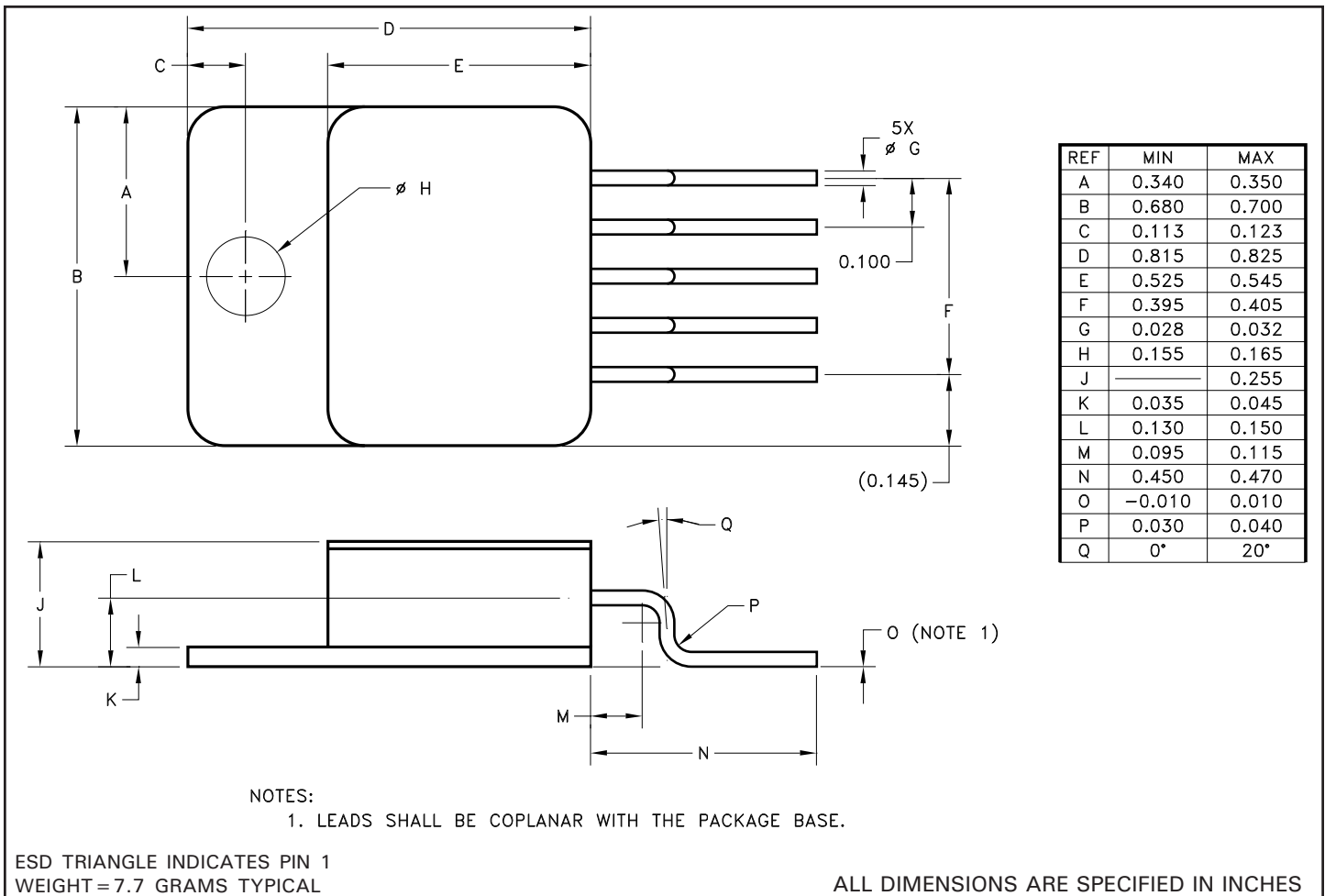
MSK5820-1.5RH GAIN AND PHASE vs. FREQUENCY



MSK5820-1.5RH GAIN AND PHASE vs. FREQUENCY



## MECHANICAL SPECIFICATIONS



## ORDERING INFORMATION

MSK5820-3.3 K RH GW

### LEAD CONFIGURATIONS

GW = GULL WING

### RADIATION HARDENED

### SCREENING

BLANK = INDUSTRIAL; H = MIL-PRF-38534 CLASS H;

K = MIL-PRF-38534 CLASS K

### OUTPUT VOLTAGE

1.5 = +1.5V; 1.8 = +1.8V; 1.9 = +1.9V; 2.5 = +2.5V;

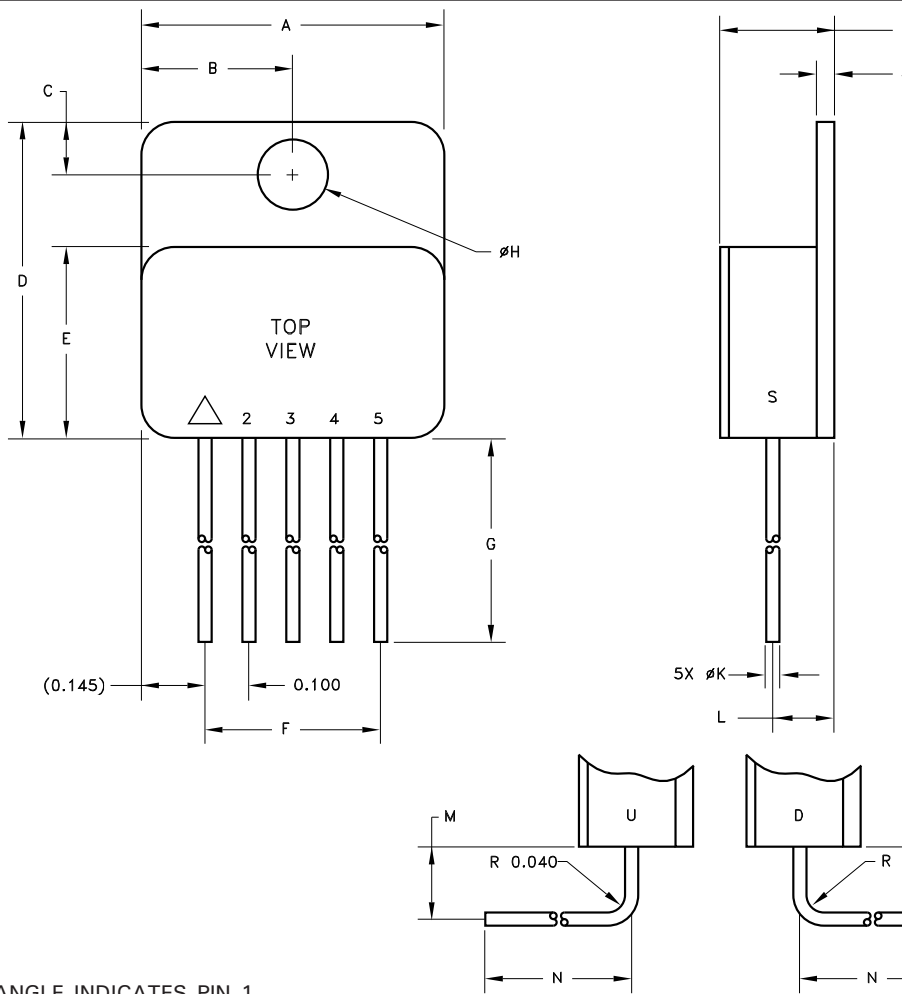
2.8 = +2.8V; 3.3 = +3.3V; 5.0 = +5.0V

### GENERAL PART NUMBER

The above example is a +3.3V, Class K regulator with gull wing leads.

NOTE: See DLA SMD 5962F09216 for DLA part number options.

# MECHANICAL SPECIFICATIONS



| REF | MIN   | MAX   |
|-----|-------|-------|
| A   | 0.680 | 0.700 |
| B   | 0.340 | 0.350 |
| C   | 0.113 | 0.123 |
| D   | 0.815 | 0.825 |
| E   | 0.525 | 0.545 |
| F   | 0.395 | 0.405 |
| G   | 0.500 |       |
| H   | 0.155 | 0.165 |
| I   |       | 0.255 |
| J   | 0.035 | 0.045 |
| K   | 0.028 | 0.032 |
| L   | 0.130 | 0.150 |
| M   | 0.185 | 0.215 |
| N   | 0.330 |       |

ESD TRIANGLE INDICATES PIN 1  
WEIGHT = 7.7 GRAMS TYPICAL

ALL DIMENSIONS ARE SPECIFIED IN INCHES

## ORDERING INFORMATION

MSK5820-3.3 K RH U

**LEAD CONFIGURATIONS**

S = STRAIGHT; U = BENT UP; D = BENT DOWN

**RADIATION HARDENED**

**SCREENING**

BLANK = INDUSTRIAL; H = MIL-PRF-38534 CLASS H;

K = MIL-PRF-38534 CLASS K

**OUTPUT VOLTAGE**

1.5 = +1.5V; 1.8 = +1.8V; 1.9 = +1.9V; 2.5 = +2.5V;

2.8 = +2.8V; 3.3 = +3.3V; 5.0 = +5.0V

**GENERAL PART NUMBER**

The above example is a +3.3V, Class K regulator with leads bent up.

NOTE: See DLA SMD 5962F09216 for DLA part number options.



## REVISION HISTORY

| REV | STATUS   | DATE  | DESCRIPTION  |
|-----|----------|-------|--|
| I   | Released | 06/14 | Add shutdown pin to absolute maximum ratings and comment in shutdown pin description, new note for solder reflow and clarify mechanical outline. |

M.S. Kennedy Corp.  
Phone (315) 701-6751  
FAX (315) 701-6752  
[www.mskennedy.com](http://www.mskennedy.com)

---

The information contained herein is believed to be accurate at the time of printing. MSK reserves the right to make changes to its products or specifications without notice, however, and assumes no liability for the use of its products. Please visit our website for the most recent revision of this datasheet.