

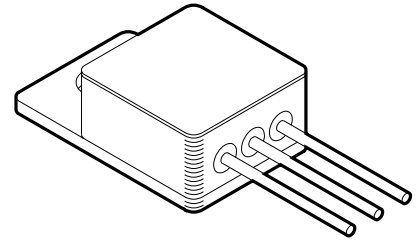
Anaren[®]
MSK PRODUCTS

**RAD HARD
NEGATIVE, 3 AMP,
LOW DROPOUT
VOLTAGE REGULATOR**

**5940RH
SERIES**

FEATURES:

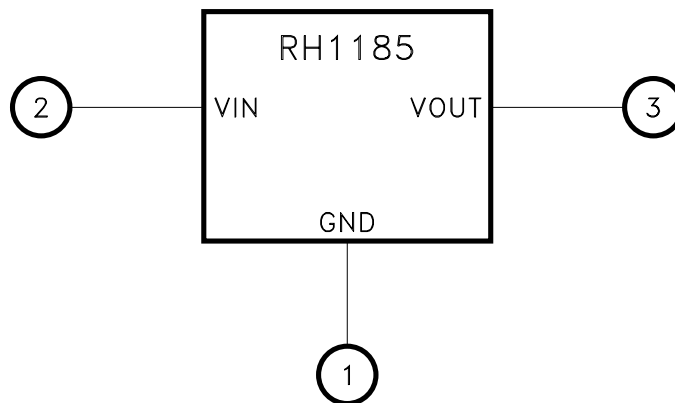
- Manufactured using  Space Qualified RH1185 Die
- Radiation Hardened to 100 Krads(Si)(Method 1019.7 Condition A)
- -5V, -5.2V, -10V, -12V and -15V Standard Versions
- Low Dropout Voltage
- Output Current to 3 Amps
- Output Voltage Internally Set to $\pm 1\%$ MAX.
- Internal Short Circuit Current Limit
- Internal Thermal Overload Protection
- Lead Form Options: Straight, Up and Down
- Alternate Output Voltages Available
- Available with Top Tab or Tabless Package
- Equivalent Non Rad Device MSK 5332



DESCRIPTION:

The MSK 5940RH is a fixed, radiation hardened, negative voltage regulator which offers low dropout and output voltage accuracy to $\pm 1\%$ maximum. The low θ_{jc} combined with low dropout allows increased output current and excellent device efficiency. The MSK 5940RH offers both internal current limit and thermal overload protection. The case of the device is electrically isolated for heat sinking purposes. The device is packaged in a space efficient 3 pin power package with various lead form options. The MSK 5940RH series is also available in a power package with a top tab to accommodate direct mounting to a heat sink.

EQUIVALENT SCHEMATIC



TYPICAL APPLICATIONS

- High Efficiency Linear Regulators
- Constant Voltage/Current Regulators
- System Power Supplies
- Switching Power Supply Post Regulators

PIN-OUT INFORMATION

- 1 GND
- 2 VIN
- 3 VOUT

CASE = ISOLATED

ABSOLUTE MAXIMUM RATINGS

⑨

| | | | | | |
|------------------|--|--------------------|-----------------|--------------------------------|-----------------|
| -VIN | Input Voltage..... | -35V | T _{ST} | Storage Temperature Range..... | -65°C to +150°C |
| -VIN | Input Voltage (WRT V _{OUT})..... | -30V | T _{LD} | Lead Temperature Range..... | 300°C |
| P _D | Power Dissipation..... | Internally Limited | | (10 Seconds) | |
| I _{OUT} | Output Current..... | -3A | T _C | Case Operating Temperature | |
| T _J | Junction Temperature..... | +150°C | | MSK 5940K/H RH..... | -55°C to +125°C |
| I _{OUT} | Output Reverse Voltage..... | -2V | | MSK 5940RH..... | -40°C to +85°C |

ELECTRICAL SPECIFICATIONS

| Parameter | Test Conditions ③ ⑩ | Group A Subgroup | MSK 5940K/H RH | | | MSK 5940RH | | | Units |
|--------------------------|---|------------------|----------------|------|------|------------|------|------|-------|
| | | | Min. | Typ. | Max. | Min. | Typ. | Max. | |
| Output Voltage Tolerance | I _{out} = 10mA; V _{in} = V _{out} + 3V | 1 | - | 0.1 | 1.0 | - | 0.1 | 2.0 | % |
| | | 2, 3 | - | 0.1 | 2.5 | - | - | - | % |
| | Post Radiation | 1 | - | 1.0 | 2.0 | - | 1.0 | 2.0 | % |
| Dropout Voltage ② | 0A ≤ I _{out} ≤ 3A; ΔV _{out} = 1% | 1 | - | 0.7 | 1.1 | - | 0.8 | 1.2 | V |
| | Post Radiation | 1 | - | 0.7 | 1.2 | - | 0.8 | 1.2 | V |
| Load Regulation | 10mA ≤ I _{out} ≤ 3A V _{in} = V _{out} + 3V | 1 | - | 0.2 | 0.5 | - | 0.2 | 0.6 | % |
| | | 2, 3 | - | 0.3 | 2.0 | - | - | - | % |
| | Post Radiation | 1 | - | 0.3 | 1.5 | - | 0.3 | 1.5 | % |
| Line Regulation | I _{out} = 10mA (V _{out} + 3V) ≤ V _{in} ≤ (V _{out} + 15V) | 1 | - | 0.1 | 0.2 | - | 0.1 | 0.6 | % |
| | | 2, 3 | - | 0.2 | 0.75 | - | - | - | % |
| | Post Radiation | 1 | - | 0.2 | 1.0 | - | 0.2 | 1.0 | % |
| Quiescent Current | V _{in} = V _{out} + 3V; I _{out} = 10mA | 1 | - | 4.5 | 10 | - | 4.5 | 12 | mA |
| | | 2, 3 | - | 4.5 | 10 | - | - | - | mA |
| Short Circuit Current ② | V _{in} = V _{out} + 5V | - | 3.0 | 3.5 | - | 3.0 | 3.5 | - | A |
| Ripple Rejection ② | I _{out} = 3A; C _{out} = 25μF; F = 120Hz | - | - | 75 | - | - | 75 | - | dB |
| Thermal Resistance ② | Junction to Case at 125°C | - | - | 4.2 | 4.6 | - | 4.2 | 4.6 | °C/W |

| PART NUMBER | OUTPUT VOLTAGE ⑦ |
|---------------|------------------|
| MSK5940-5.0RH | -5.0V |
| MSK5940-5.2RH | -5.2V |
| MSK5940-10RH | -10.0V |
| MSK5940-12RH | -12.0V |
| MSK5940-15RH | -15.0V |

NOTES:

- ① Output is decoupled to ground using 33μF minimum, low ESR capacitors unless otherwise specified.
- ② Guaranteed by design but not tested. Typical parameters are representative of actual device performance but are for reference only. Not applicable to post irradiation performance.
- ③ All output parameters are tested using a low duty cycle pulse to maintain T_J = T_C.
- ④ Industrial grade devices shall be tested to subgroup 1 unless otherwise specified.
- ⑤ Military grade devices ("H" and "K" suffix) shall be 100% tested to subgroups 1,2 and 3.
- ⑥ Subgroup 1 TA = +25°C
2 TA = +125°C
3 TA = -55°C
- ⑦ Please consult the factory if alternate output voltages are required.
- ⑧ Input voltage (V_{IN} = V_{OUT} + a specified voltage) is implied to be more negative than V_{OUT}.
- ⑨ Continuous operation at or above absolute maximum ratings may adversely effect the device performance and/or life cycle.
- ⑩ Pre and Post irradiation limits, at 25°C, up to 100Krad TID, are identical unless otherwise specified. Post irradiation performance is guaranteed by design with a 2X radiation design margin.

APPLICATION NOTES

BYPASS CAPACITORS

For most applications a 33uF minimum, low ESR (0.5-2 ohm) tantalum capacitor should be attached as close to the regulator's output as possible. This will effectively lower the regulator's output impedance, increase transient response and eliminate any oscillations that are normally associated with low dropout regulators. Additional bypass capacitors can be used at the remote load locations to further improve regulation. These can be either of the tantalum or the electrolytic variety. Unless the regulator is located very close to the power supply filter capacitor(s), a 4.7uF minimum low ESR (0.5-2 ohm) tantalum capacitor should also be added to the regulator's input. An electrolytic may also be substituted if desired. When substituting electrolytic in place of tantalum capacitors, a good rule of thumb to follow is to increase the size of the electrolytic by a factor of 10 over the tantalum value.

LOAD REGULATION

For best results the ground pin should be connected directly to the load as shown below, this effectively reduces the ground loop effect and eliminates excessive voltage drop in the sense leg. It is also important to keep the output connection between the regulator and the load as short as possible since this directly affects the load regulation. For example, if 20 gauge wire were used which has a resistance of about .008 ohms per foot, this would result in a drop of 8mV/ft at 1Amp of load current. It is also important to follow the capacitor selection guidelines to achieve best performance. Refer to Figure 1 for connection diagram.

MSK 5940RH TYPICAL APPLICATION:

Low Dropout Negative Power Supply

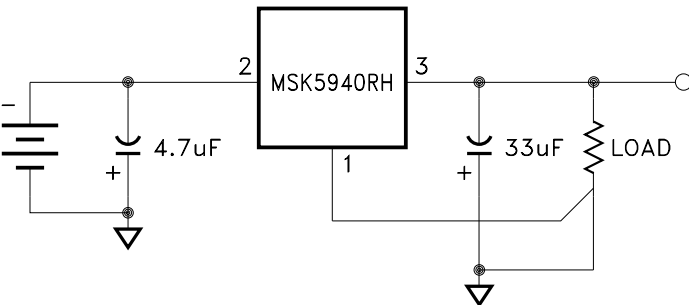


FIGURE 1

TOTAL DOSE RADIATION TEST PERFORMANCE

Radiation performance curves for TID testing have been generated for all radiation testing performed by MS Kennedy. These curves show performance trends throughout the TID test process and are located in the MSK 5940RH radiation test report. The complete radiation test report is available in the RAD HARD PRODUCTS section on the MSK website.

<http://www.mskennedy.com/store.sp?pid=9951&catid=19680>

OVERLOAD SHUTDOWN

The MSK 5940RH features both power and thermal overload protection. When the maximum power dissipation is not exceeded, the regulator will current limit slightly above its 3 amp rating. As the Vin-Vout voltage increases, however, shutdown occurs in relation to the maximum power dissipation curve. If the device heats enough to exceed its rated die junction temperature due to excessive ambient temperature, improper heat sinking etc., the regulator will shutdown until an appropriate junction temperature is maintained. It should also be noted that in the case of an extreme overload, such as a sustained direct short, the device may not be able to recover. In these instances, the device must be shut off and power reapplied to eliminate the shutdown condition.

HEAT SINKING

To determine if a heat sink is required for your application and if so, what type, refer to the thermal model and governing equation below.

Governing Equation: $T_j = P_d \times (R_{\theta jc} + R_{\theta cs} + R_{\theta sa}) + T_a$

WHERE

- T_j = Junction Temperature
- P_d = Total Power Dissipation
- R_{θjc} = Junction to Case Thermal Resistance
- R_{θcs} = Case to Heat Sink Thermal Resistance
- R_{θsa} = Heat Sink to Ambient Thermal Resistance
- T_c = Case Temperature
- T_a = Ambient Temperature
- T_s = Heat Sink Temperature

EXAMPLE:

This example demonstrates an analysis where the regulator is at one-half of its maximum rated power dissipation, which occurs when the output current is at 1.5 amps.

Conditions for MSK 5940-5RH:

V_{in} = -7.0V; I_{out} = -1.5A

- 1.) Assume 45° heat spreading model.
- 2.) Find regulator power dissipation:

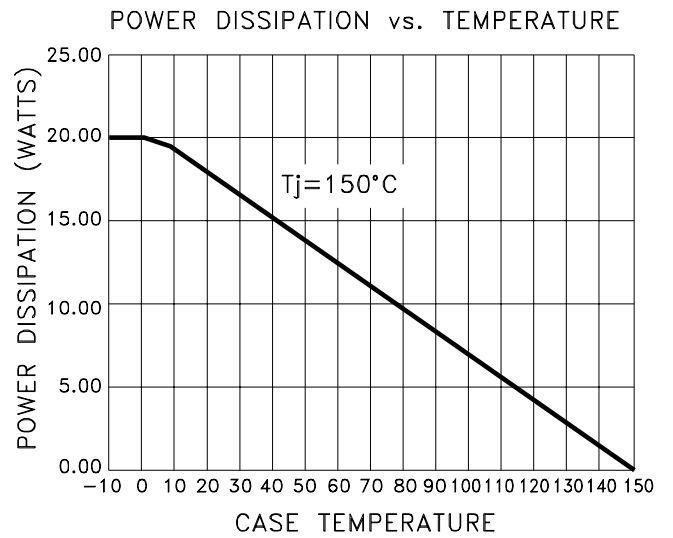
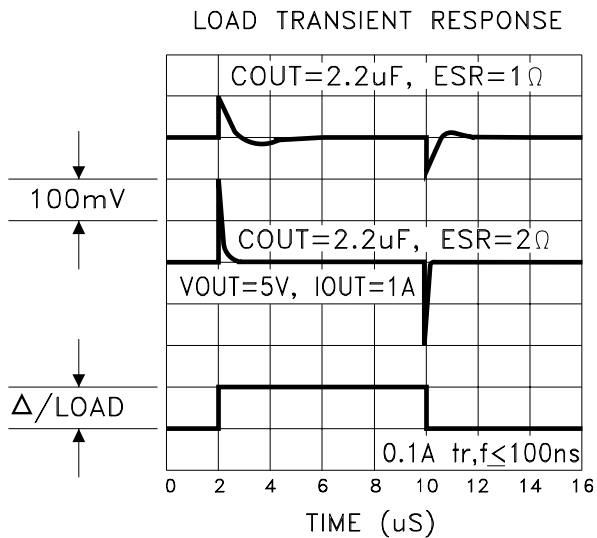
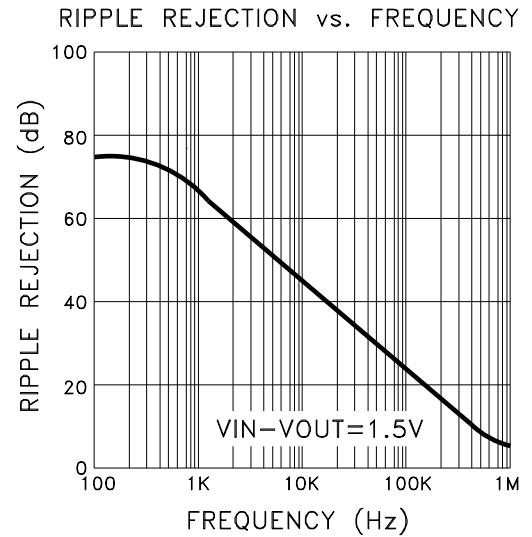
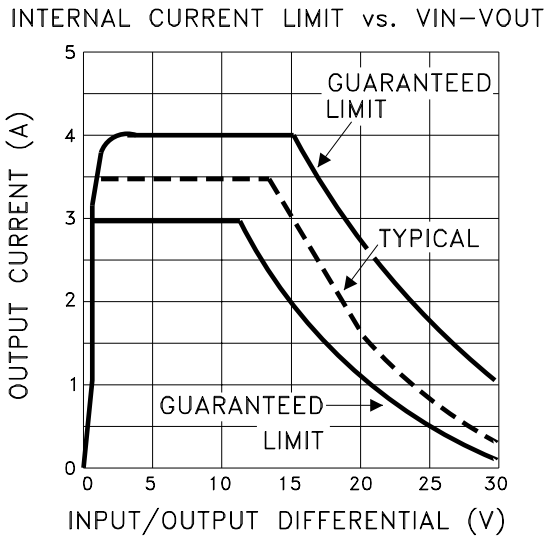
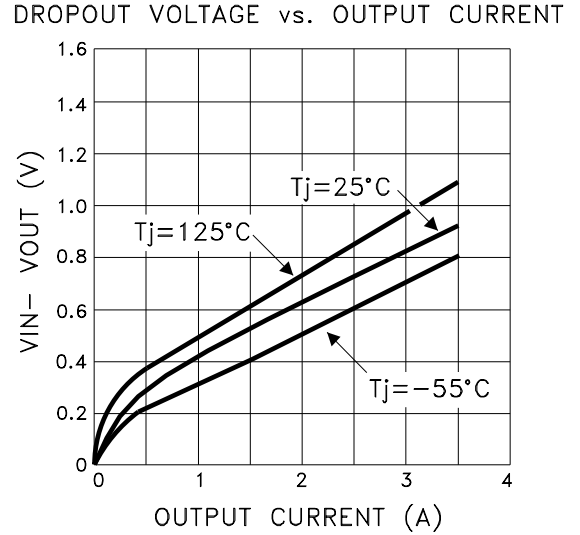
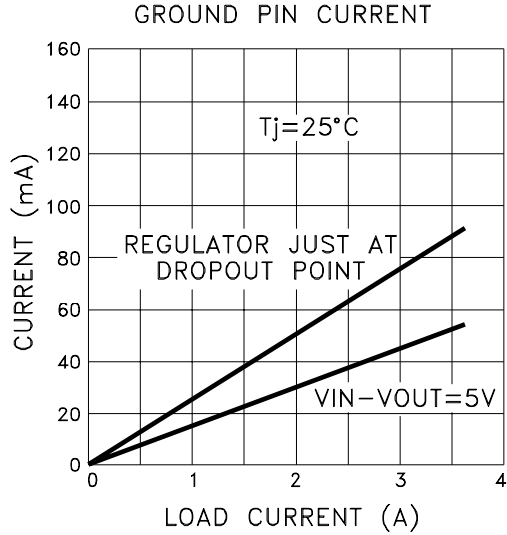
$$\begin{aligned} P_d &= (V_{in} - V_{out})(I_{out}) \\ P_d &= (-7 - (-5))(-1.5) \\ &= 3.0W \end{aligned}$$

- 3.) For conservative design, set T_j = +125°C Max.
- 4.) For this example, worst case T_a = +90°C.
- 5.) R_{θjc} = 4.6°C/W from the Electrical Specification Table.
- 6.) R_{θcs} = 0.15°C/W for most thermal greases.
- 7.) Rearrange governing equation to solve for R_{θsa}:

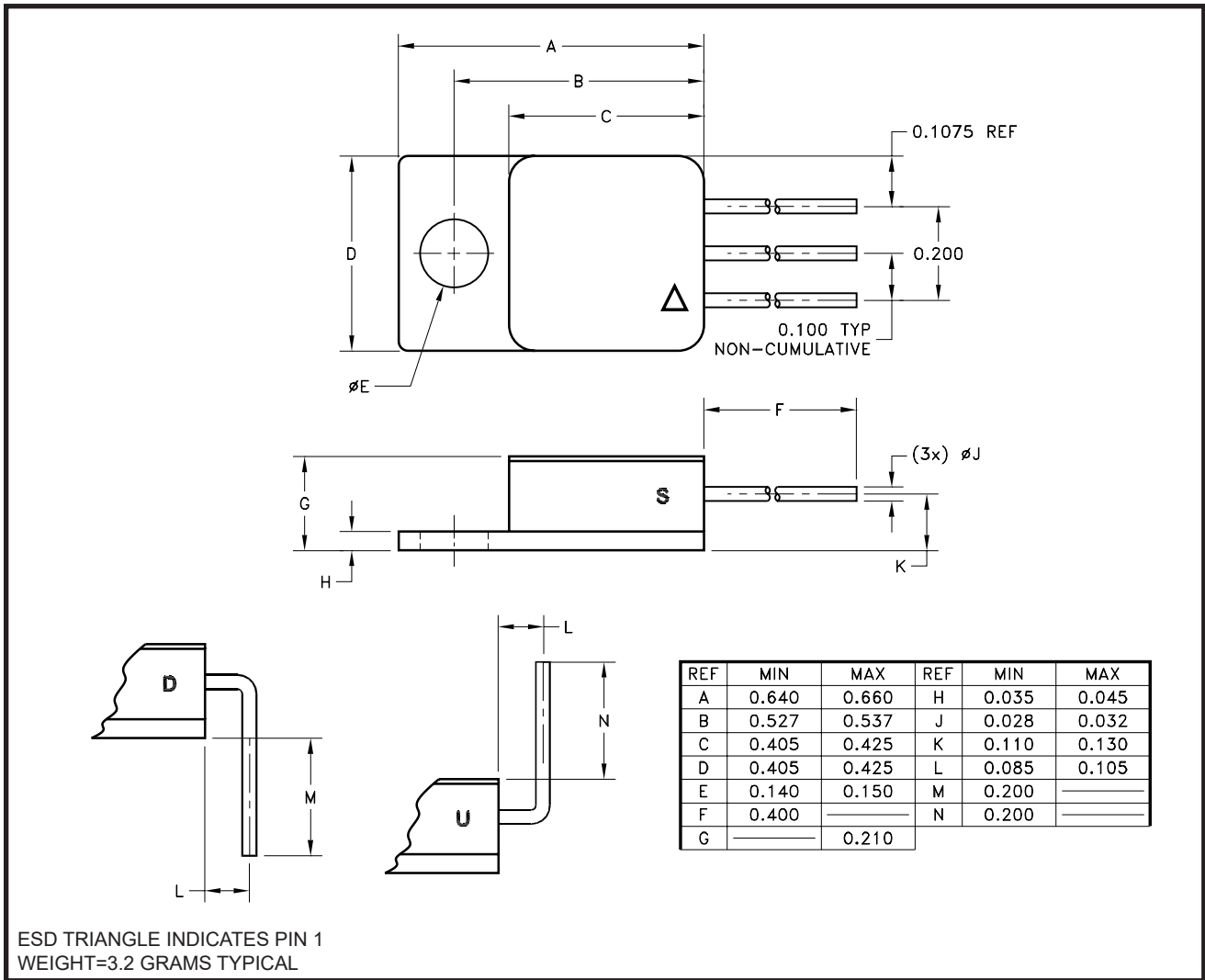
$$\begin{aligned} R_{\theta sa} &= ((T_j - T_a)/P_d) - (R_{\theta jc}) - (R_{\theta cs}) \\ &= ((125^\circ\text{C} - 90^\circ\text{C})/3.0W) - 4.6^\circ\text{C/W} - 0.15^\circ\text{C/W} \\ &= 6.9^\circ\text{C/W} \end{aligned}$$

In this case the result is 6.9°C/W. Therefore, a heat sink with a thermal resistance of no more than 6.9°C/W must be used in this application to maintain the regulator junction temperature under 125°C.

TYPICAL PERFORMANCE CURVES



MECHANICAL SPECIFICATIONS



ORDERING INFORMATION

MSK5940-5.0 H RH D

- LEAD CONFIGURATIONS**
S= STRAIGHT; U= BENT UP; D= BENT DOWN
- RAD HARD**
- SCREENING**
BLANK= INDUSTRIAL; H= MIL-PRF-38534 CLASS H;
K=MIL- PRF-38534 CLASS K
- OUTPUT VOLTAGE**
5.0=-5.0V; 5.2=-5.2V; 10=-10.0V; 12=-12.0V; 15=-15.0V
- GENERAL PART NUMBER**

The above example is a -5.0V, Class H Military regulator with bent down leads.

REVISION HISTORY

| REV | STATUS | DATE | DESCRIPTION |
|-----|----------|-------|---|
| H | Released | 09/17 | Update parameters to better correlate to manufacturer's pre and post RAD specs. |
| J | Released | 10/17 | Add -15V back to table on page 2 |
| K | Released | 02/18 | GBD Dropout Voltage |

ANAREN, MSK Products
www.anaren.com/msk

The information contained herein is believed to be accurate at the time of printing. Anaren, MSK products reserves the right to make changes to its products or specifications without notice, however and assumes no liability for the use of its products.
Please visit our website for the most recent revision of this datasheet.