




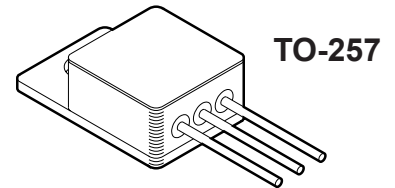
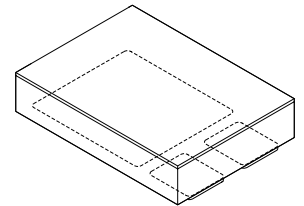
**RAD HARD 1.5A,
NEGATIVE ADJUSTABLE
LINEAR REGULATOR**

5973RH

FEATURES:

- Manufactured using  Space Qualified RH 137 Die
- Radiation Hardened to 100 Krads(Si) (Method 1019.7 Condition A)
- Output Current Limit
- Internal Thermal Overload Protection
- Output Current to 1.5 Amps
- Adjustable Output using two External Resistors
- Available in 3 Lead Form Options: Straight, Up and Down (TO-257)
- Available to DLA SMD 5962R09214
- Equivalent Non Rad Hard Device MSK5173

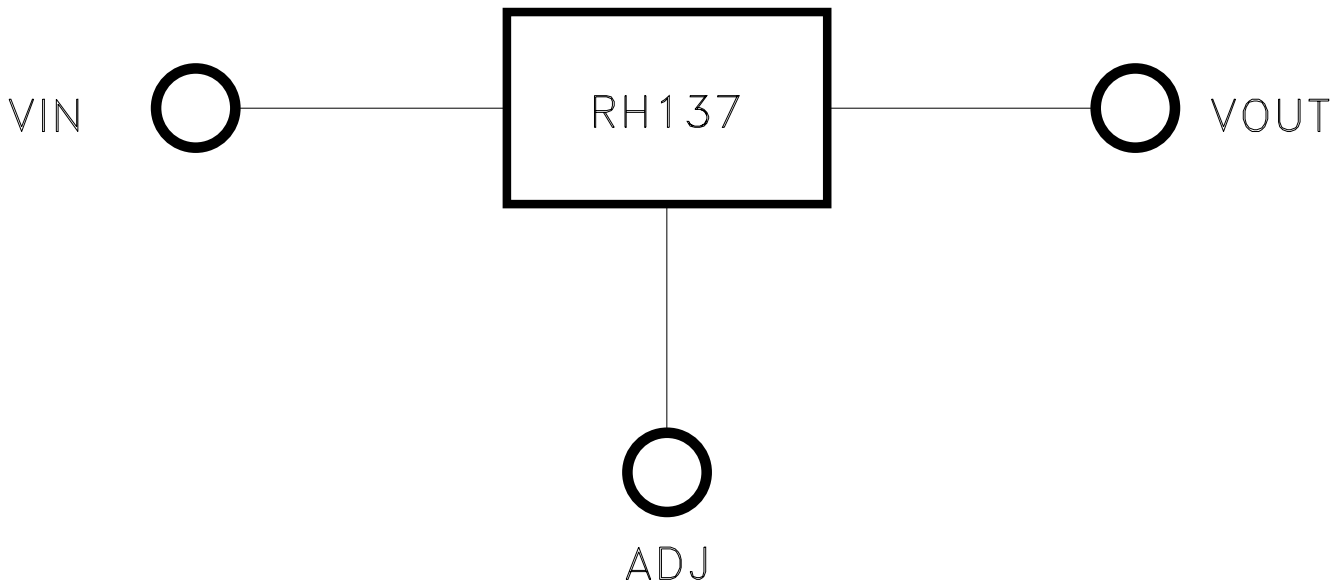
**SMD-1
3 PAD
CERAMIC**



DESCRIPTION:

The MSK5973RH is a radiation hardened 3-terminal negative adjustable regulator capable of supplying up to 1.5A of current. The output is adjustable using external resistors for a range of V_{ref} to -27V. Excellent line and load regulation characteristics ensure accurate performance. The MSK5973RH has full protection with current and thermal limiting. The MSK5973RH is packaged in two space saving packages, the 3 pin power surface mount ceramic SMD-1 or the TO-257 package with 3 lead form options: straight, up and down.

EQUIVALENT SCHEMATIC



TYPICAL APPLICATIONS

- Satellite System Power Supplies
- Switching Power Supply Post Regulators
- Constant Voltage/Current Regulators
- High Efficiency Linear Regulators

PIN-OUT INFORMATION

TO-257		SMD-1	
1	ADJ	1	ADJ
2	VIN	2	VOUT
3	VOUT	3	VIN

CASE = ISOLATED

 and the Linear Technology logo are registered trademarks and RH137 is a copyright of Linear Technology Corporation

ABSOLUTE MAXIMUM RATINGS

⑧

V _{IN}	Input Voltage (V _{IN} -V _{OUT}).....	30VDC
PD	Power Dissipation.....	Internally Limited
I _{OUT}	Output Current.....	1.5A
T _J	Junction Temperature.....	+150°C

T _{ST}	Storage Temperature Range.....	⑪ -65°C to +150°C
T _{LD}	Lead Temperature Range (10 Seconds).....	300°C
T _C	Case Operating Temperature	
	MSK5973RH.....	-40°C to +85°C
	MSK5973(K/H)RH.....	-55°C to +125°C

ELECTRICAL SPECIFICATIONS

Parameter	Test Conditions ⑨	Group A Subgroup	MSK5973K/HRH			MSK5973RH			Units
			Min.	Typ.	Max.	Min.	Typ.	Max.	
Reference Voltage	3V ≤ (V _{IN} - V _{OUT}) ≤ 30V I _{OUT} = 10mA	1	-1.30	-1.25	-1.20	-1.35	-1.25	-1.15	V
		2, 3	-1.30	-	-1.20	-	-	-	V
Line Regulation	3V ≤ (V _{IN} - V _{OUT}) ≤ 30V I _{OUT} = 10mA	1	-0.02	0.002	+0.02	-0.02	0.002	+0.02	%/V
		2, 3	-0.05	-	+0.05	-	-	-	%/V
Adjust Pin Current	3V ≤ (V _{IN} - V _{OUT}) ≤ 30V I _{OUT} = 10mA	1	-	65	100	-	65	100	μA
		2, 3	-	-	100	-	-	-	μA
Adjust Pin Current Change	3V ≤ (V _{IN} - V _{OUT}) ≤ 30V I _{OUT} = 10mA	1	-5.0	0.2	+5.0	-5.0	0.2	+5.0	μA
		2, 3	-6.0	-	+6.0	-	-	-	μA
Load Regulation	V _{IN} = -8V, V _{OUT} = -5V 10mA ≤ I _{OUT} ≤ 1.5A	1	-25	-	+25	-25	-	+25	mV
		2, 3	-50	-	+50	-	-	-	mV
Current Limit ⑦	V _{IN} = -10V V _{OUT} = -5V	1	1.5	2.3	-	1.5	2.3	-	A
		2, 3	1.5	-	-	-	-	-	A
Ripple Rejection ②	V _{OUT} = -10V, F = 120Hz, C _{adj} = 10μF	4	66	-	-	66	-	-	dB
Minimum Load Current ②	(V _{IN} - V _{OUT}) = 30V	1	-	-	5	-	-	5	mA
Thermal Resistance ②	Junction to Case @ 125°C TO-257 Package	-	-	4.4	4.8	-	4.4	4.8	°C/W
Thermal Resistance ②	Junction to Case @ 125°C SMD-1 Package	-	-	3.7	4.1	-	3.7	4.1	°C/W

NOTES:

- ① Output is decoupled to ground using 10μF low ESR tantalum capacitors and 0.1μF ceramic.
- ② Guaranteed by design but not tested. Typical parameters are representative of actual device performance but are for reference only. Not applicable to post irradiation performance.
- ③ All output parameters are tested using a low duty cycle pulse to maintain T_J = T_C.
- ④ Industrial grade and devices shall be tested to subgroup 1 unless otherwise specified.
- ⑤ Military grade devices ("H" and "K" suffix) shall be 100% tested to subgroups 1,2 and 3.
- ⑥ Subgroup 1 TA = T_C = +25°C
Subgroup 2 TA = T_C = +125°C
Subgroup 3 TA = T_C = -55°C
- ⑦ The output current limit function provides protection from transient overloads but it may exceed the maximum continuous rating. Continuous operation in current limit may damage the device.
- ⑧ Continuous operation at or above absolute maximum ratings may adversely effect the device performance and/or life cycle.
- ⑨ Pre and Post irradiation limits at 25°C, up to 100 Krad TID, are identical unless otherwise specified. Post irradiation performance is guaranteed by design with a 2X radiation design margin.
- ⑩ Reference DLA SMD 5962R09214 for electrical specification for devices purchased as such.
- ⑪ Internal solder reflow temperature is 180°C, do not exceed.

APPLICATION NOTES

OUTPUT VOLTAGE

The MSK5973RH develops a nominal -1.25V reference voltage between the output and adjustment terminal. With a constant reference voltage drop across program resistor R1, a constant current flows through the output set resistor R2. Since the current from the adjustment terminal represents an error in the programmed output voltage, the MSK5973RH was designed to minimize IADJ and make it very constant with line and load changes. To do this, all quiescent operating current is returned to the output establishing a minimum load current requirement. If there is insufficient load on the output, the output will rise. Figure 1 shows the output voltage calculations.

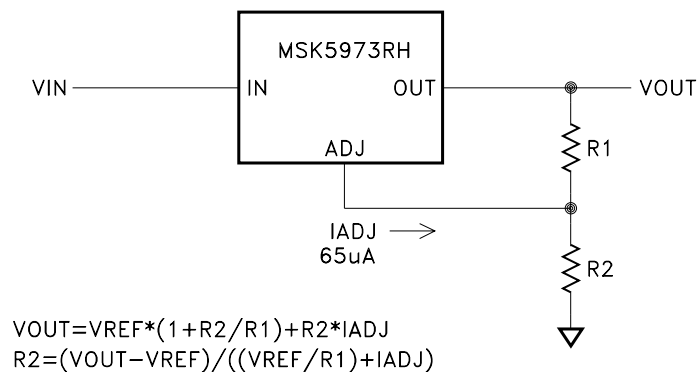


FIGURE 1

INPUT VOLTAGE

The minimum required input voltage for proper operation is $V_{OUT} + \text{Dropout voltage}$. See typical performance curves for dropout performance.

EXTERNAL CAPACITORS

Input bypassing with a 1uF tantalum in parallel with a 0.1uF ceramic on the input is suitable in most applications. To maximize transient response and minimize input supply transients more input capacitance can be added. The adjustment terminal can be bypassed to ground on the MSK5973RH to improve ripple rejection. This bypass capacitor prevents ripple from being amplified at higher output voltages. The impedance of the adjust pin capacitor at the ripple frequency should be less than the value of R1. For most application a 10uF bypass capacitor will provide sufficient ripple rejection at any output level. Increases over 10uF do not appreciably improve the ripple rejection at frequencies above 120Hz. Output bypassing with 10uF low ESR tantalum in parallel with a 0.1uF ceramic attached as close to the regulator's output as possible is best. This will effectively lower the regulator output impedance, increase transient response and eliminate any oscillations. Any increase of the load capacitance larger than 10uF will merely improve the loop stability and output impedance. See Figure 3 for typical application schematic.

LOAD REGULATION

The MSK5973RH is capable of providing extremely good load regulation but a few precautions are needed to obtain maximum performance. The current set resistor connected between the adjustment terminal and the output terminal should be tied directly to the output pin as close to the case of the regulator as possible rather than near the load. This eliminates package pin and trace drops from appearing effectively in series with the reference and degrading regulation. For example, if the regulator is set to -5V with 0.05Ω resistance between the regulator and the current set resistor, the output will droop 225mV at 1A due to package pin and trace resistance. The amount of droop can be calculated as follows: $(V_{out \text{ at } 5\text{mA}} - (1.250 - (0.05\Omega * I_L)) * (1 + R2/R1))$. The ground of R2 can be returned near the ground of the load to provide remote ground sensing and improve load regulation. Figure 2A shows the effect of resistance between the regulator and 240Ω set resistor.

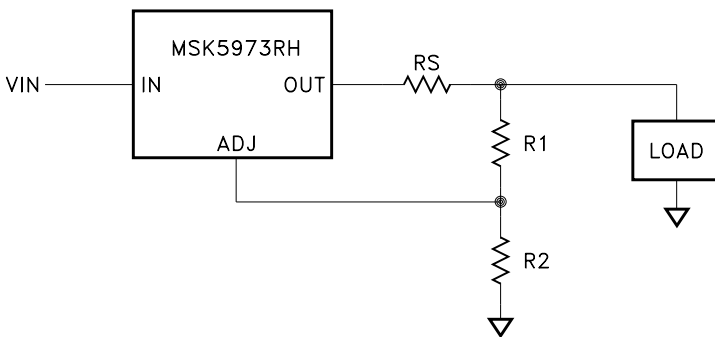


FIGURE 2A
(Degraded Regulation)

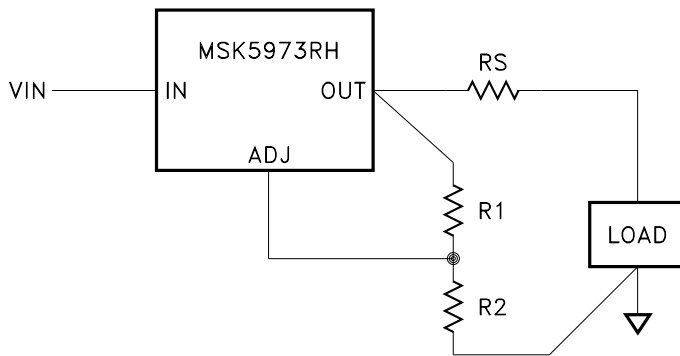
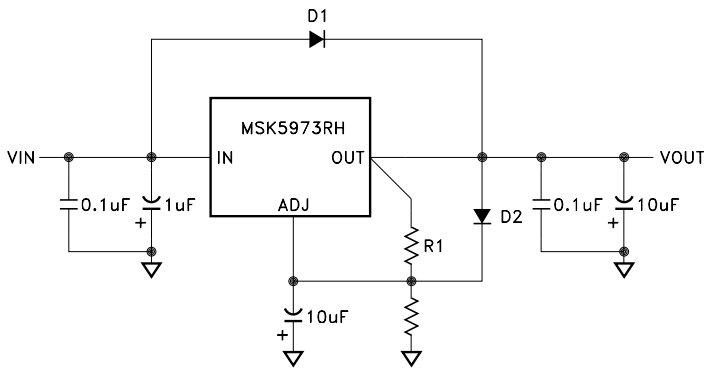


FIGURE 2B
(Best Case REGulation)

APPLICATION NOTES CONT'D

PROTECTION DIODES

When external capacitors are used with any IC regulator it is sometimes necessary to add protection diodes to prevent the capacitors from discharging through low current points into the regulator. Most 10 μ F capacitors have low enough internal series resistance to deliver 20A spikes when shorted. Although the surge is short, there is enough energy to stress MSK5973RH. When an output capacitor is connected to a regulator and the input is shorted or crowbarred, the output capacitor will discharge into the output of the regulator. The discharge current depends on the value of the capacitor, the output voltage of the regulator, and the rate of decrease of VIN. Figure 3 shows an MSK5973RH with protection diodes included. D2 is only required if the adjust pin has external capacitance tied to it.



TYPICAL APPLICATION

FIGURE 3

TOTAL DOSE RADIATION TEST PERFORMANCE

Radiation performance curves for TID testing have been generated for all radiation testing performed by TTM Technologies. These curves show performance trends throughout the TID test process and is located in the MSK5973RH radiation test report. The complete radiation test report is available in the RAD HARD PRODUCTS section on the TTM Technologies website.

HEAT SINKING

To determine if a heat sink is required for your application and if so, what type, refer to the thermal model and governing equation below.

$$\text{Governing Equation: } T_j = P_d \times (R_{\theta jc} + R_{\theta cs} + R_{\theta sa}) + T_a$$

WHERE

T_j = Junction Temperature
 P_d = Total Power Dissipation
 $R_{\theta jc}$ = Junction to Case Thermal Resistance
 $R_{\theta cs}$ = Case to Heat Sink Thermal Resistance
 $R_{\theta sa}$ = Heat Sink to Ambient Thermal Resistance
 T_c = Case Temperature
 T_a = Ambient Temperature
 T_s = Heat Sink Temperature

EXAMPLE:

This example demonstrates an analysis with the output set to -10V, where the output current is at 0.5 amp and the input is -15V.

Conditions for MSK5973RH:

$$V_{IN} = -15V; I_{out} = 0.5A$$

- 1.) Assume 45° heat spreading model.
- 2.) Find regulator power dissipation:

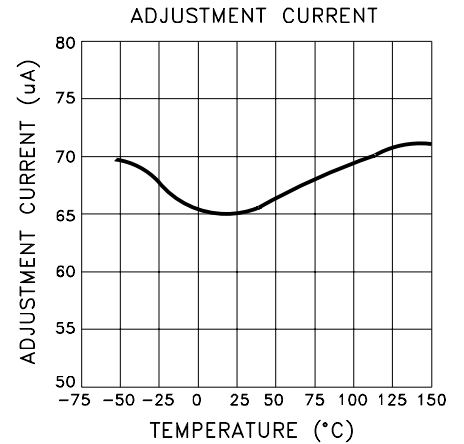
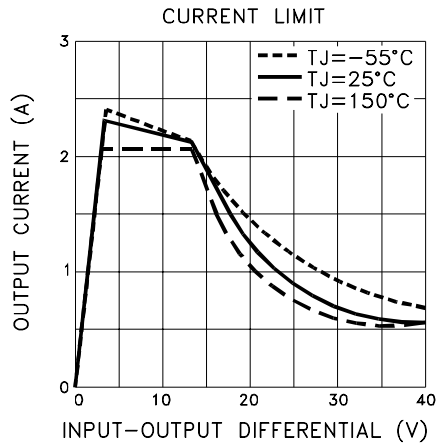
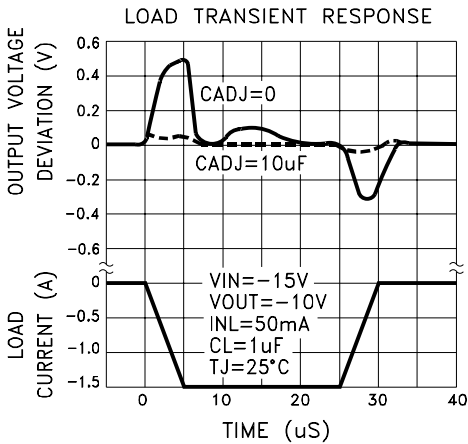
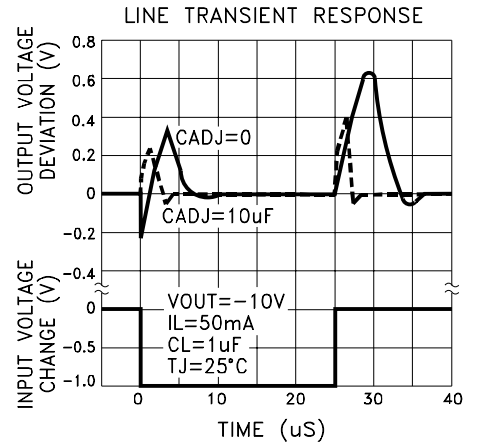
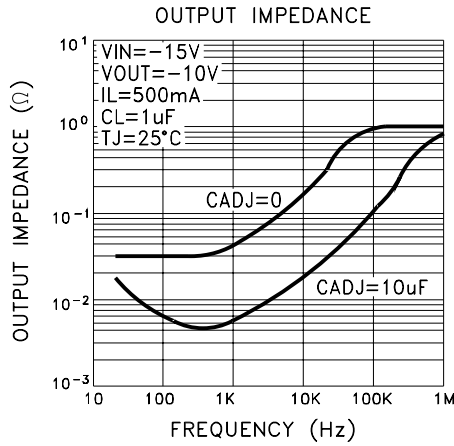
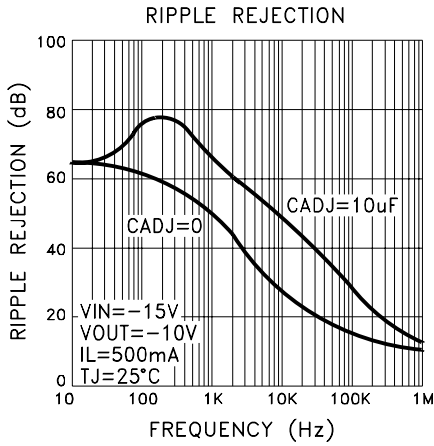
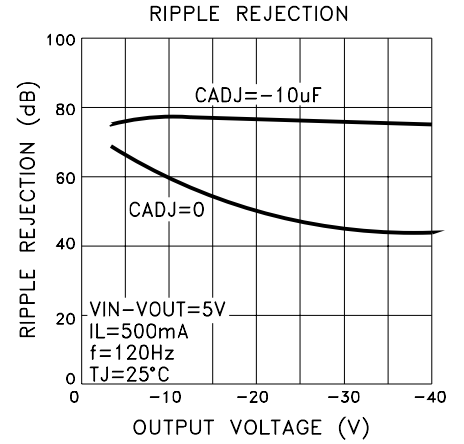
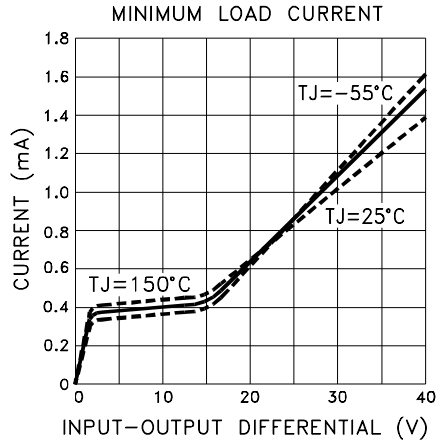
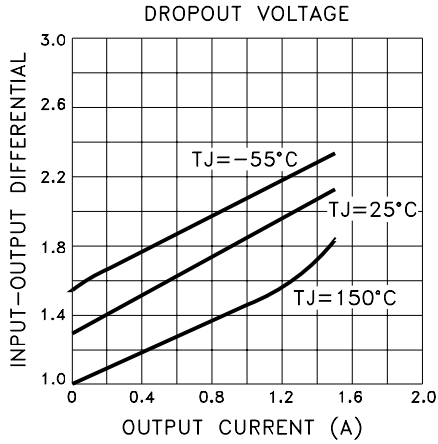
$$\begin{aligned} P_d &= (V_{IN} - V_{OUT})(I_{out}) \\ P_d &= (15V - 10V)(0.5A) \\ P_d &= 2.5W \end{aligned}$$

- 3.) For conservative design, set $T_j = +125^\circ\text{C}$ Max.
- 4.) For this example, worst case $T_a = +90^\circ\text{C}$.
- 5.) $R_{\theta jc} = 4.8^\circ\text{C/W}$ from the Electrical Specification Table.
- 6.) $R_{\theta cs} = 0.15^\circ\text{C/W}$ for most thermal greases.
- 7.) Rearrange governing equation to solve for $R_{\theta sa}$:

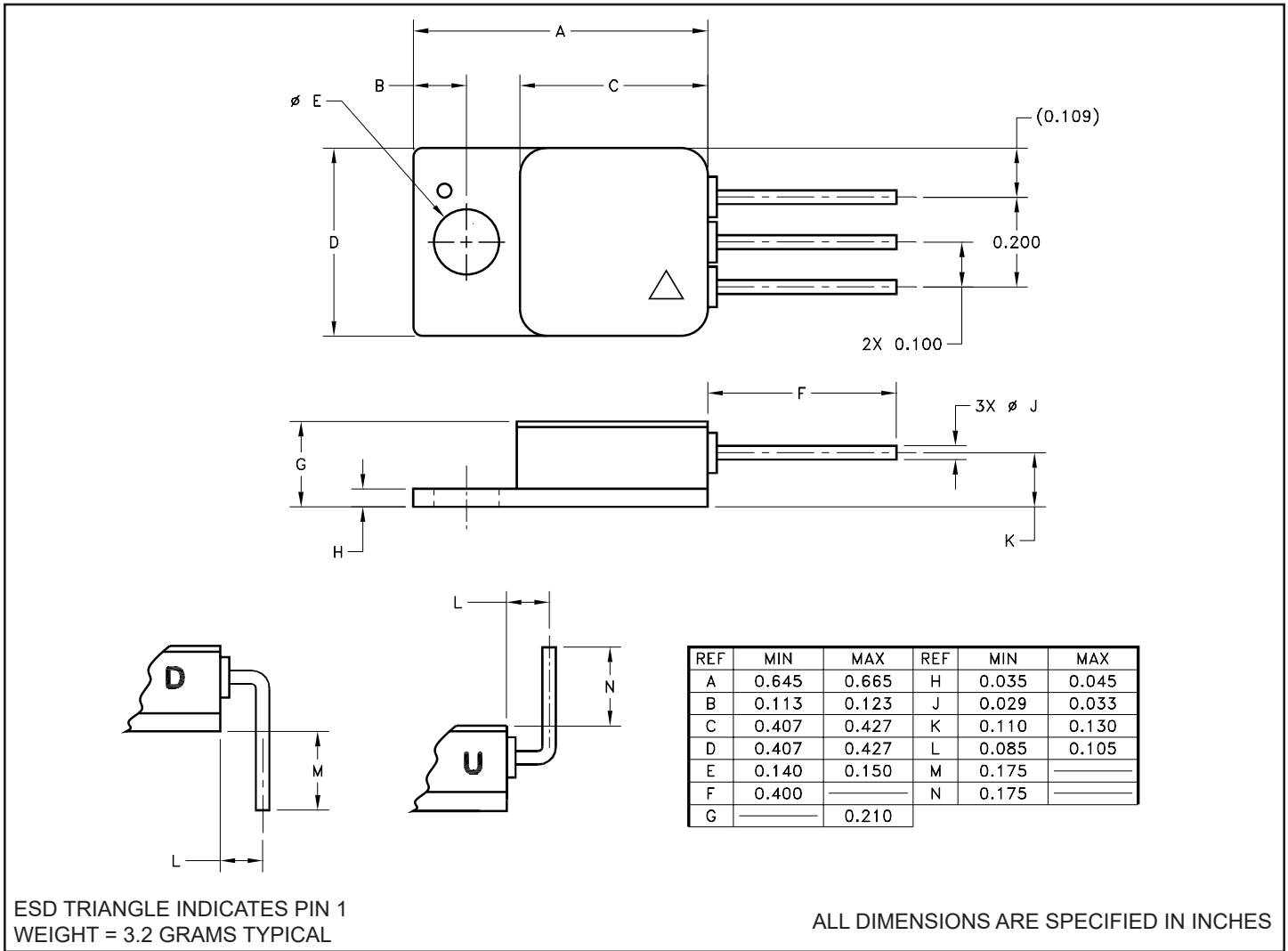
$$\begin{aligned} R_{\theta sa} &= ((T_j - T_a)/P_d) - (R_{\theta jc}) - (R_{\theta cs}) \\ &= (125^\circ\text{C} - 90^\circ\text{C})/2.5W - 4.8^\circ\text{C/W} - 0.15^\circ\text{C/W} \\ &= 9.0^\circ\text{C/W} \end{aligned}$$

In this case the result is 9.0°C/W. Therefore, a heat sink with a thermal resistance of no more than 9.0°C/W must be used in this application to maintain regulator circuit junction temperature under 125°C.

TYPICAL PERFORMANCE CURVES



MECHANICAL SPECIFICATIONS



ORDERING INFORMATION

MSK5973 K RH U

LEAD CONFIGURATIONS

S = STRAIGHT; U = BENT UP; D = BENT DOWN

RADIATION HARDENED

SCREENING

BLANK = INDUSTRIAL; H = MIL-PRF-38534 CLASS H;

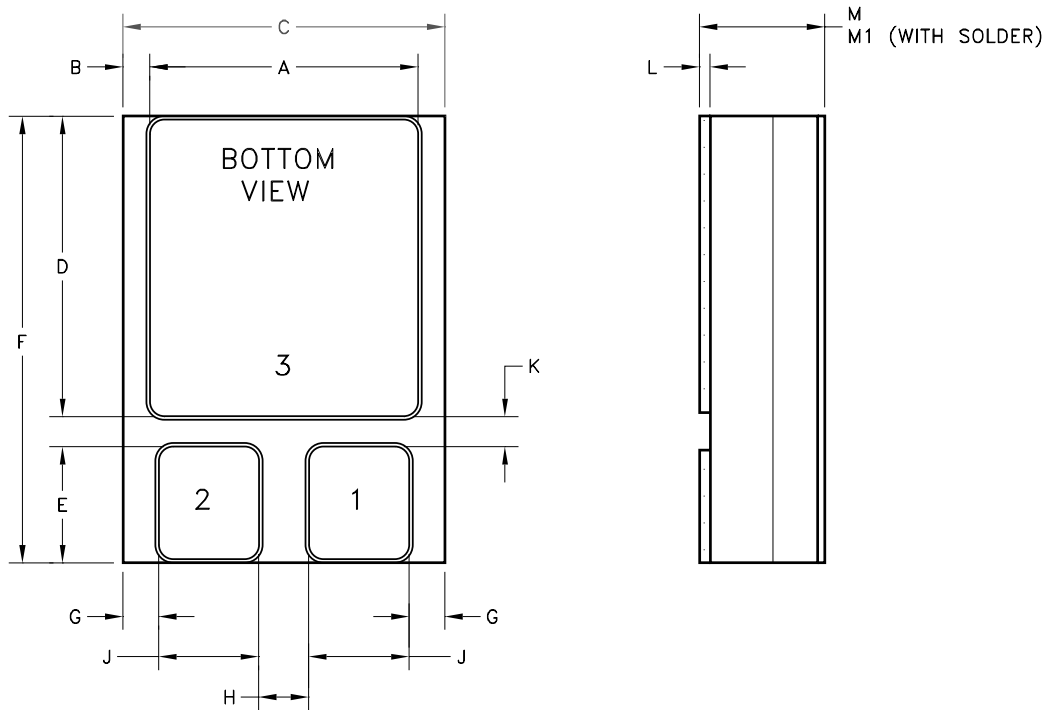
K = MIL-PRF-38534 CLASS K

GENERAL PART NUMBER

The above example is an adjustable Class K regulator with leads bent up.

NOTE: See DLA SMD 5962R09214 for DLA part number options.

MECHANICAL SPECIFICATIONS



REF	MIN	MAX	REF	MIN	MAX
A	0.365	0.385	H	0.035	
B	0.032	0.042	J	0.130	0.150
C	0.440	0.460	K	0.030	
D	0.405	0.425	L	0.012	0.018
E	0.152	0.162	M		0.130
F	0.615	0.635	M1		0.135
G	0.045	0.055			

WEIGHT = 2.2 GRAMS TYPICAL

ALL DIMENSIONS ARE SPECIFIED IN INCHES

ORDERING INFORMATION

MSK5973 K RH L

3 PAD CERAMIC SMD-1 PACKAGE
RADIATION HARDENED
SCREENING

BLANK = INDUSTRIAL; H = MIL-PRF-38534 CLASS H;
K = MIL-PRF-38534 CLASS K

GENERAL PART NUMBER

The above example is an adjustable Class K regulator.

NOTE: See DLA SMD 5962R09214 for DLA part number options.

REVISION HISTORY

REV	STATUS	DATE	DESCRIPTION
H	Released	10/14	Format update, add internal note and clarify mechanical outline
J	Released	09/17	Update parameters to better correlate to manufacturer's pre and post RAD specs
K	Released	07/18	Update mechanical outline to show ceramic seals
L	Released	04/22	Remove MIL-PRF-38535, update company name and website

TTM Technologies
www.ttmtech.com

The information contained herein is believed to be accurate at the time of printing. TTM Technologies reserves the right to make changes to its products or specifications without notice, however and assumes no liability for the use of its products. Please visit our website for the most recent revision of this data sheet.