
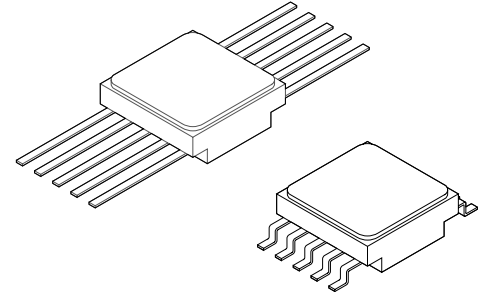


TTM Technologies RAD HARD POSITIVE,
0.7A, LDO, SINGLE RESISTOR
ADJ VOLTAGE REGULATOR **5980RH**

FEATURES:

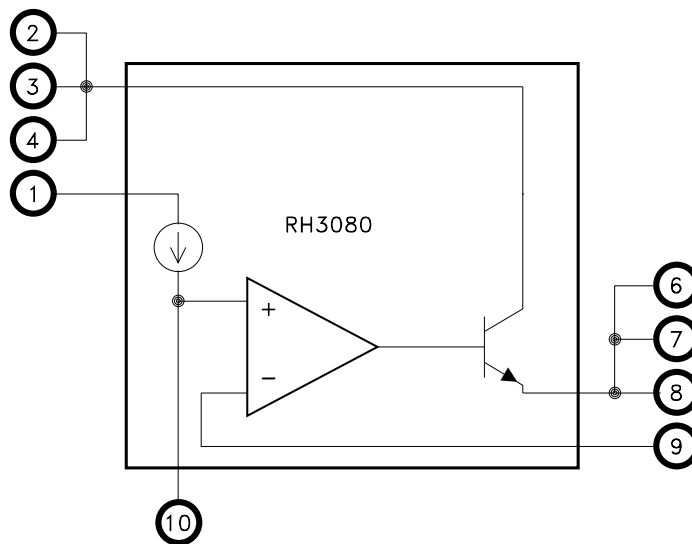
- Manufactured using  Space Qualified RH3080 Die
- MIL-PRF-38534 Class K Processing & Screening
- Total Dose Hardened to 300 Krads(Si) (Method 1019.7 Condition A)
- Low Dropout to 250mV (VIN - VOUT, with Seperate CTL Supply)
- Output Adjustable to Zero Volts
- Internal Short Circuit Current Limit
- Output Voltage is Adjustable with 1 External Resistor
- Output Current Capability to 0.7A
- Internal Thermal Overload Protection
- Outputs may be Paralleled for Higher Current
- Available in Straight or Gull Wing Lead Form
- Replaces MSK5978RH



DESCRIPTION:

The MSK5980RH offers low dropout down to 250mV and an output voltage range down to zero volts while offering radiation tolerance for space applications. This, combined with the low θ_{JC} , allows increased output current while providing exceptional device efficiency. Output voltage is selected by the user through the use of 1 external resistor. Additionally, the regulator offers internal short circuit current and thermal limiting, which allows circuit protection and eliminates the need for external components and excessive derating. Because of the increased efficiency, a small hermetic 10 pin ceramic flatpack can be used providing maximum performance while occupying minimal board space. The MSK5980RH is available in two lead options: straight or gull wing.

EQUIVALENT SCHEMATIC



TYPICAL APPLICATIONS

- High Efficiency Linear Regulators
- Constant Voltage/Current Regulators
- Space System Power Supplies
- Switching Power Supply Post Regulators
- Very low Voltage Power Supplies

PIN-OUT INFORMATION

1	CTL	10	SET
2	VIN	9	VOUT SENSE
3	VIN	8	VOUT
4	VIN	7	VOUT
5	NC	6	VOUT

CASE = ISOLATED

ABSOLUTE MAXIMUM RATINGS

⑨

V _{IN}	Input Voltage (7)	+40V, -0.3
V _{CTL}	Control Voltage (7)	+40V, -0.3
P _D	Power Dissipation	Internally Limited
I _{OUT}	Output Current (8)	0.7A
T _J	Junction Temperature	+150°C

T _{ST}	Storage Temperature Range	-65°C to +150°C
T _{LD}	Lead Temperature Range (10 Seconds)	300°C
T _C	Case Operating Temperature Range	
	MSK5980RH	-40°C to +85°C
	MSK5980K, HRH, KRH	-55°C to +125°C
	ESD Rating	Class 2

ELECTRICAL SPECIFICATIONS

Parameter	Test Conditions (1)(10)	Group A Subgroup	MSK 5980K/HRH			MSK 5980RH			Units
			Min.	Typ.	Max.	Min.	Typ.	Max.	
Set Pin Current (I _{SET})	V _{CTL} = V _{IN} = 3.0V V _{OUT} = 1.0V 1mA ≤ I _{LOAD} ≤ 0.7A	1	9.80	10.0	10.20	9.80	10.0	10.20	μA
	Post 300 Krad (Si)	1	9.7	-	10.5	9.7	-	10.5	μA
	1mA ≤ I _{LOAD} ≤ 0.65A	2, 3	9.80	-	10.30	-	-	-	μA
Output Offset Voltage (V _{OS})	V _{CTL} = V _{IN} = 3.0V V _{OUT} = 1.0V I _{LOAD} = 1mA	1	-5	0	5	-5	0	5	mV
		2, 3	-6	-	6	-	-	-	mV
	Post 100 Krad (Si)	1	-5	-	5	-5	-	5	mV
	Post 300 Krad (Si)	1	-7	-	7	-7	-	7	mV
Load Regulation (Δ V _{OS})	V _{CTL} = V _{IN} = 3.0V V _{OUT} = 1.0V 1mA ≤ I _{LOAD} ≤ 0.7A	1	-1.3	-	1.3	-1.3	-	1.3	mV
	1mA ≤ I _{LOAD} ≤ 0.65A	2, 3	-1.3	-	1.3	-	-	-	mV
	(Δ SET) (2)	1	-	-0.1	-	-	-0.1	-	nA
Line Regulation (Δ I _{SET})	3V ≤ V _{IN} = V _{CTL} ≤ 25V V _{OUT} = 1.0V I _{LOAD} = 1mA	1	-0.5	-	0.5	-0.5	-	0.5	nA/V
		2, 3	-1.0	-	1.0	-	-	-	nA/V
	Post 300 Krad (Si)	1	-1.0	-	1.0	-1.0	-	1.0	nA/V
	(Δ V _{OS}) (2)	1	-	0.003	-	-	0.003	-	mV/V
VIN Dropout Voltage	V _{OUT} = 1.0V I _{LOAD} = 0.7A V _{CTL} = 3.0V	1	-	250	500	-	250	500	mV
	I _{LOAD} = 0.65A	2, 3	-	-	600	-	-	-	mV
V _{control} Dropout Voltage	V _{OUT} = 1.0V I _{LOAD} = 0.7A V _{CTL} = 3.0V	1	-	1.34	1.6	-	1.34	1.6	V
	I _{LOAD} = 0.65A	2, 3	-	-	1.7	-	-	-	V
Control Pin Current	V _{IN} = 2.0V V _{OUT} = 1.0V	1	-	4.5	6.6	-	4.5	6.6	mA
	V _{CTL} = 3.0V I _{LOAD} = 100mA	2, 3	-	-	6.6	-	-	-	mA
Current Limit (8)	V _{CTL} = V _{IN} = 5.0V V _{OUT} = 1.0V	1	0.7	0.87	-	0.7	0.87	-	A
		2, 3	0.65	-	-	-	-	-	A
Minimum Load Current (6)	V _{CTL} = V _{IN} = 25V	-	-	-	1	-	-	1	mA
Ripple Rejection (2)	F = 120Hz ΔVIN = 0.5V _{PP}	-	-	75	-	-	75	-	dB
Output Noise (2)	V _{IN} = V _{CTL} = 3V, R _{LOAD} = 2.5Ω C _{SET} = 0.1μF	-	-	31	-	-	31	-	μV _{RMS}
	10Hz to 100 KHz C _{SET} = 100pF	-	-	59	-	-	59	-	
Thermal Resistance (2)	Junction to Case @ 125°C	-	-	21	25	-	21	25	°C/W

NOTES:

- Output is decoupled to ground using a 220μF tantalum low ESR capacitor in parallel with 3 pieces of 1.0μF and one 0.1μF ceramic capacitor unless otherwise specified. (See Figure 1)
- Guaranteed by design but not tested. Typical parameters are representative of actual device performance but are for reference only.
- Industrial grade devices shall be tested to subgroup 1 unless otherwise specified.
- Class H, K devices shall be 100% tested to subgroups 1,2 and 3.
- Subgroup 1 T_A = T_C = +25°C
Subgroup 2 T_A = T_C = +125°C
Subgroup 3 T_A = T_C = -55°C
- Minimum load current verified while testing line regulation.
- Voltage is measured with respect to V_{OUT}.
- Reference the current limit typical performance curve for input to output voltage differential verses output current capabilities.
- Continuous operation at or above absolute maximum ratings may adversely effect the device performance and/or life cycle.
- Pre and Post irradiation limits at 25°C, up to 300 Krad(Si) TID, are identical unless otherwise specified.

APPLICATION NOTES

OUTPUT VOLTAGE

A single resistor (RSET) from the SET pin to ground creates the reference voltage for the internal Error Amplifier. The MSK5980RH SET pin supplies a constant current of 10uA that develops the reference voltage. The output voltage is simply $RSET \times 10\mu A$. Since the output is internally driven by a unity-gain amplifier, an alternative to using RSET is to connect a high quality reference source to the SET pin. With a minimum load requirement of 1mA on the Output, the Output Voltage can be adjusted to near 0V. To bring the output voltage to 0V, the load must be connected to a slightly negative voltage supply to sink the 1mA minimum load current from a 0V output.

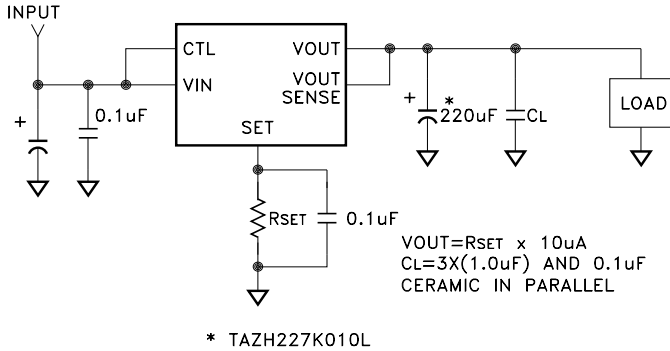


FIGURE 1

OUTPUT CAPACITANCE

For stability purposes, the MSK5980RH requires a minimum output capacitor of 10uF with an ESR of 0.5Ω or less. Tantalum or ceramic capacitors are recommended. A larger capacitance value will improve transient response for increased load current changes. Consideration must also be given to temperature characteristics of the capacitors used.

LOW DROPOUT OPERATION

Using separate VIN and CTL power supplies allows for lower dropout and improved efficiency. Figure 2 shows the MSK5980RH output transistor collector is connected to the VIN pin. The regulator control circuitry is powered by the CTL input. The dropout of the regulator is determined by the saturation voltage of the output transistor, typical 250mV at 0.7A ILOAD. The CTL supply must supply the base drive current for the output transistor. The CTL current minus the 10uA SET current is supplied to the load. See the Typical Performance Characteristics curves for expected VIN dropout voltage, CTL pin dropout voltage and current requirements under various conditions. With separate supplies for VIN and CTL, power dissipation is reduced and efficiency improves.

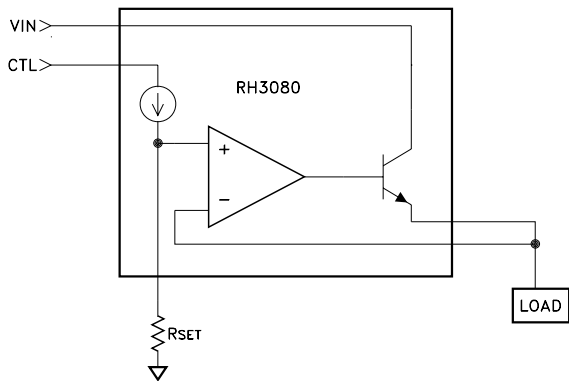


FIGURE 2

ADDITIONAL STABILITY

A capacitor placed in parallel with the SET pin resistor to ground, will improve the output transient response and filter noise in the system. To reduce output noise, typically less than 100pF is all that will be required. Capacitors up to 1uF can be used, however consideration must be given to the effect the time constant created will have on the startup time.

LOAD REGULATION

The MSK5980RH specified load regulation is Kelvin Sensed, therefore the parasitic resistance of the system must be considered to design an acceptable load regulation. The overall load regulation includes the specified MSK5980RH load regulation plus the parasitic resistance multiplied by the load current as shown in Figure 3. RSO is the series resistance of all conductors between the MSK5980RH output and the load. It will directly increase output load regulation error by a voltage drop of $I_o \times R_{SO}$. RSS is the series resistance between the SET pin and the load. RSS will have little effect on load regulation if the SET pin trace is connected as close to the load as possible keeping the load return current on a separate trace as shown. RSR is the series resistance of all of the conductors between the load and the input power source return. RSR will not effect load regulation if the SET pin is connected with a Kelvin Sense type connection as shown in Figure 3, but it will increase the effective dropout voltage by a factor of $I_o \times R_{SR}$. Keeping RSO and RSR as low as possible will ensure minimal voltage drops and wasted power.

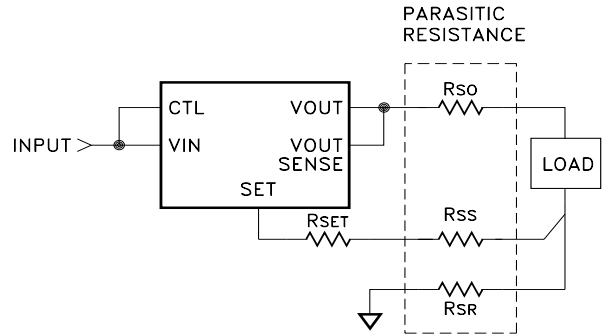


FIGURE 3

OUTPUT CURRENT/CURRENT LIMIT

Available output current and current limit values have been derived from the MSK5980KRHG which assumes a lead length of approximately 0.1 inch. Increased lead length will decrease current limit due to lead resistance. This is especially important to note with use of the MSK5980KRH, which allows the potential for lead lengths to exceed 0.1 inch. As an approximation, every 50mil increase in lead length will decrease the current limit by 40mA.

PARALLELING DEVICES

When currents greater than 0.7A are needed, the MSK5980RH's may be paralleled to multiply the current capacity. As shown in Figure 4, the VIN and SET pins must be tied together. The VOUT pins are connected to the load with consideration to the conductor resistance. The conductor resistance of each MSK5980RH VOUT connection to the load, must be equal to create equal load sharing. As little as 10mΩ ballast resistance typically ensures better than 80% equal sharing of load current at full load. Additional consideration must be given to the effect the additional VOUT conductor resistance has on load regulation; see paragraph titled "Load Regulation".

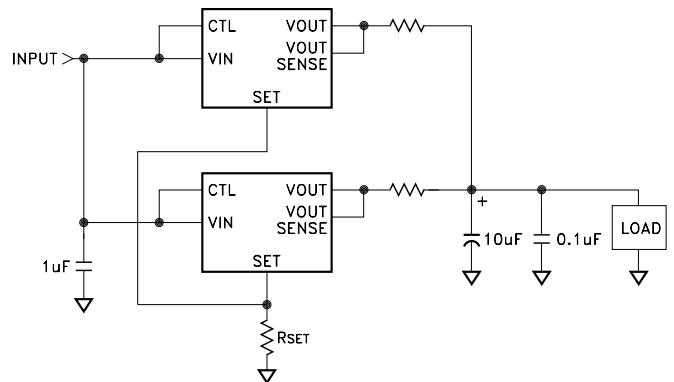


FIGURE 4

APPLICATION NOTES CONT'D

IMPROVING INITIAL ACCURACY AND REDUCING TEMPERATURE DRIFT

The initial output accuracy of the MSK5980RH due to SET pin current tolerance and set point resistor accuracy can be reduced to 0.2% using the MSK109RH radiation hardened precision reference. Minimal drift of the MSK109RH from temperature extremes and irradiation ensure very tight regulation. The circuit can be configured to use the 2.5V reference to directly set the output at 2.5V or with a slight variation it can provide any output within the operating range of the MSK5980RH down to 0V output. Select RS to maintain between 1mA and 10mA of current through the reference; see Figure 5 below. RS may be tied to VIN or another power source. The optional trim resistor can be used to further trim out initial output and system error. Reference the MSK109RH data sheet for application circuits that provide stable output voltages across the full operating range of the MSK5980RH including down to 0V output and the operating characteristics of the MSK109RH.

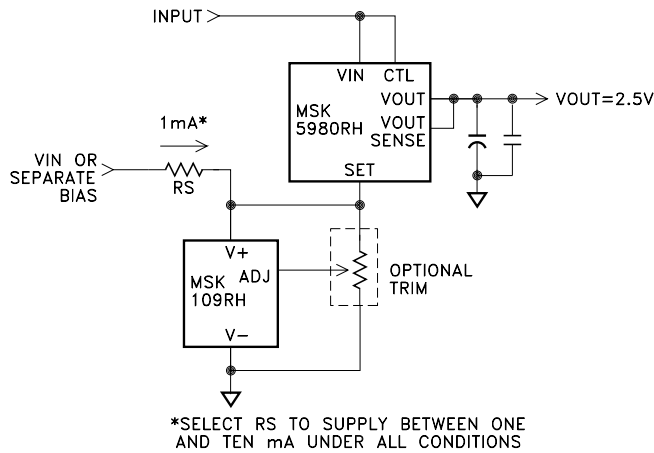


FIGURE 5

ADDING SHUTDOWN

The MSK5980RH can be easily shutdown by either reducing RSET to 0Ω or connecting a transistor from the SET pin to ground. By connecting two transistors, as shown in Figure 6, a low current voltage source is all that is required to take the SET pin to ground as well as pull the output voltage to ground. Q2 pulls the output voltage to ground when no load is present and only needs to sink 10mA. Use a low leakage switching diode between Vout and Set to avoid overstress during shutdown transitions

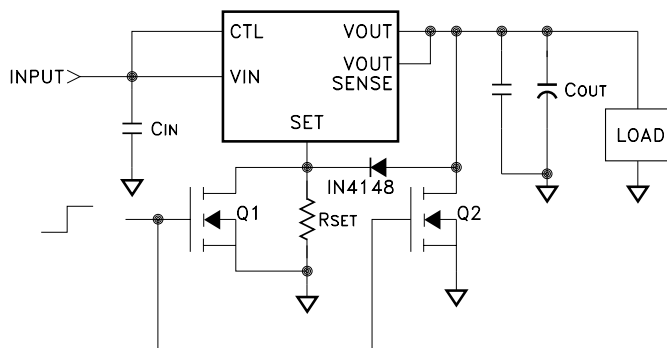


FIGURE 6

DEVICE ASSEMBLY

The RH3080 IC senses the bond wire voltage drop to set the current limit. This device is manufactured with gold bond wires to meet current limit specifications.

HEAT SINKING

To determine if a heat sink is required for your application and if so, what type, refer to the thermal model and governing equation below.

$$\text{Governing Equation: } T_J = P_D \times (R_{\theta JC} + R_{\theta CS} + R_{\theta SA}) + T_A$$

WHERE

T_J = Junction Temperature
 P_D = Total Power Dissipation
 R_{θJC} = Junction to Case Thermal Resistance
 R_{θCS} = Case to Heat Sink Thermal Resistance
 R_{θSA} = Heat Sink to Ambient Thermal Resistance
 T_C = Case Temperature
 T_A = Ambient Temperature
 T_S = Heat Sink Temperature

EXAMPLE:

This example demonstrates the thermal calculations for the regulator operating at 0.5A output current.

Conditions for MSK5980RH:

$$V_{CTL}=V_{IN} = +3.0V; I_{OUT} = +0.50A \quad V_{OUT}=+1.0V$$

- 1.) Assume 45° heat spreading model.
- 2.) Find regulator power dissipation:

$$\begin{aligned} P_D &= (V_{IN} - V_{OUT})(I_{OUT}) \\ P_D &= (3-1)(0.50) \\ &= 1.0W \end{aligned}$$

- 3.) For conservative design, set T_J = +125°C Max.
- 4.) For this example, worst case T_A = +90°C.
- 5.) R_{θJC} = 17.0°C/W from the Electrical Specification Table.
- 6.) R_{θCS} = 0.15°C/W for most thermal greases.
- 7.) Rearrange governing equation to solve for R_{θSA}:

$$\begin{aligned} R_{\theta SA} &= ((T_J - T_A/P_D - (R_{\theta JC}) - (R_{\theta CS})) \\ &= (125^\circ\text{C} - 90^\circ\text{C})/1.0W - 17.0^\circ\text{C/W} - 0.15^\circ\text{C/W} \\ &= 17.9^\circ\text{C/W} \end{aligned}$$

In this case the result is 17.9°C/W. Therefore, a heat sink with a thermal resistance of no more than 17.9°C/W must be used in this application to maintain regulator circuit junction temperature under 125°C.

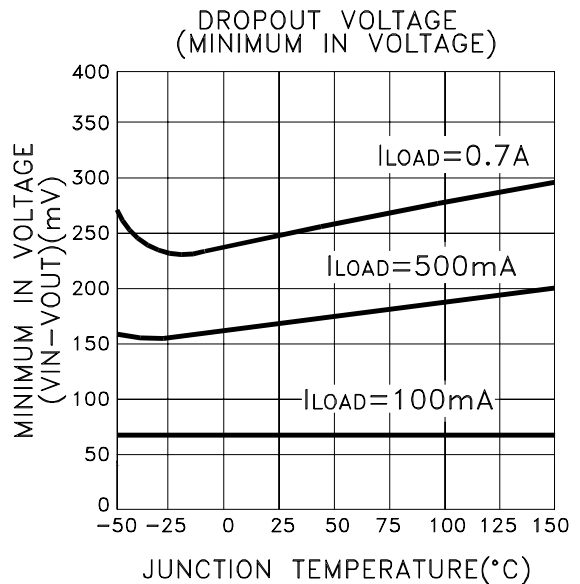
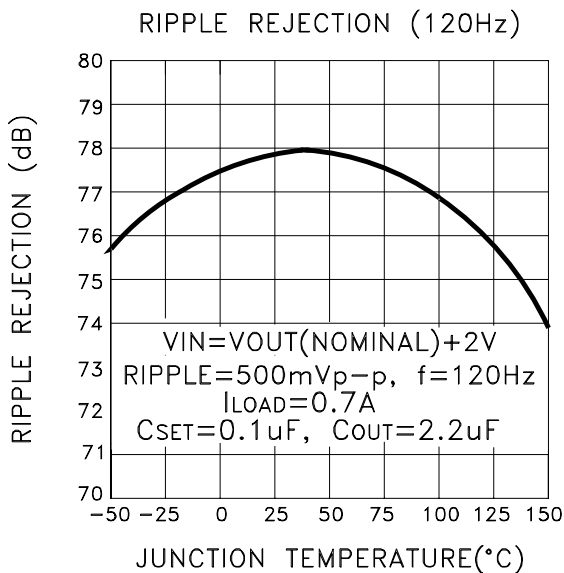
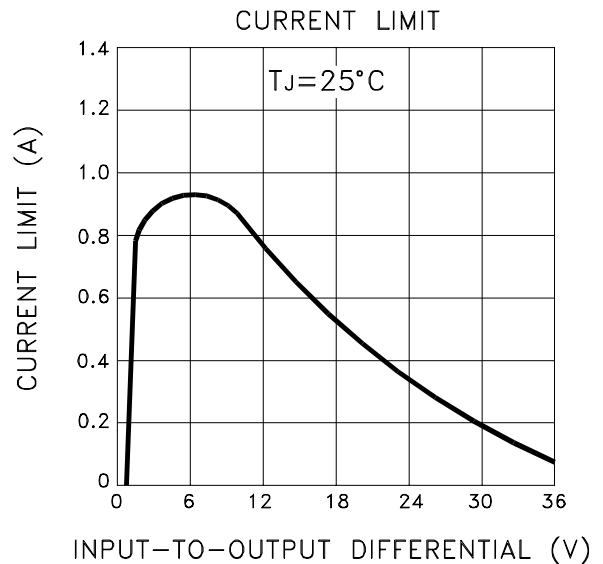
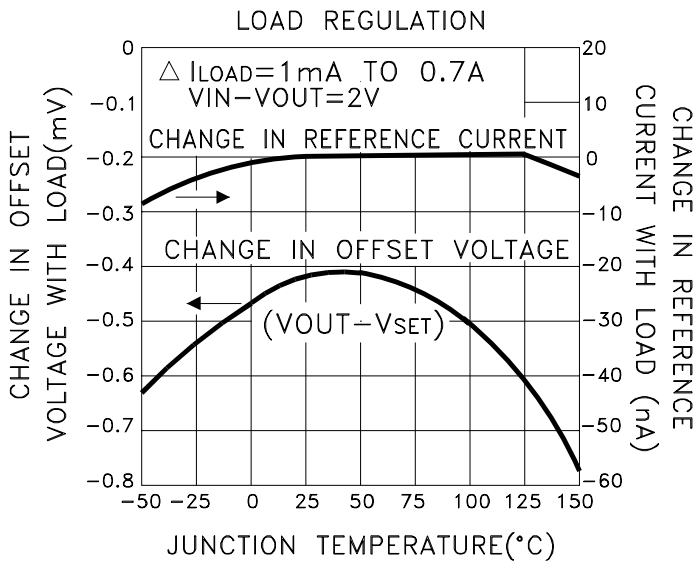
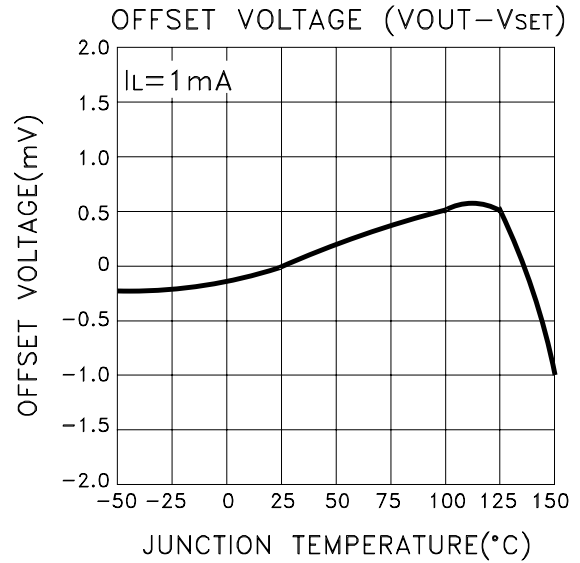
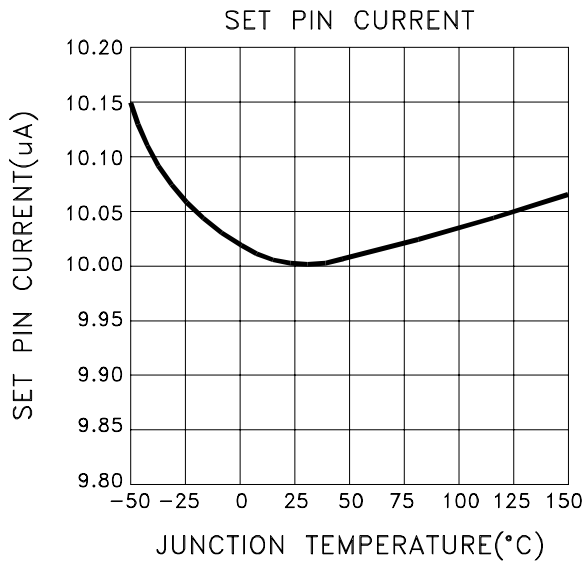
TOTAL DOSE RADIATION TEST PERFORMANCE

Radiation performance curves for TID testing have been generated for all radiation testing performed by TTM Technologies. These curves show performance trends throughout the TID test process and can be located in the MSK5980RH radiation test report. The complete radiation test report is available in the RAD HARD PRODUCTS section on the TTM Technologies website

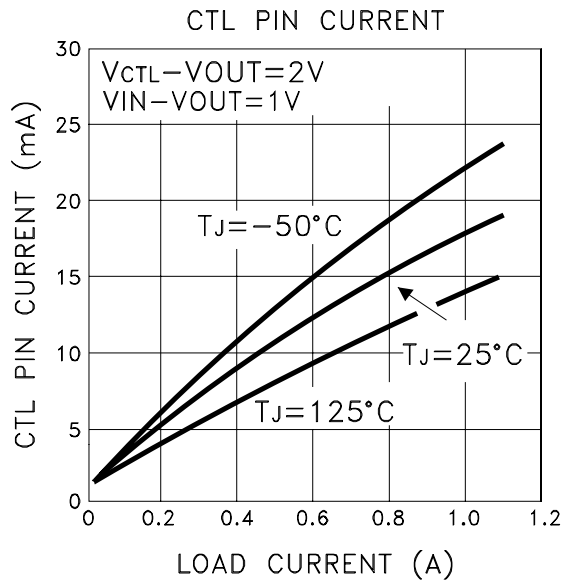
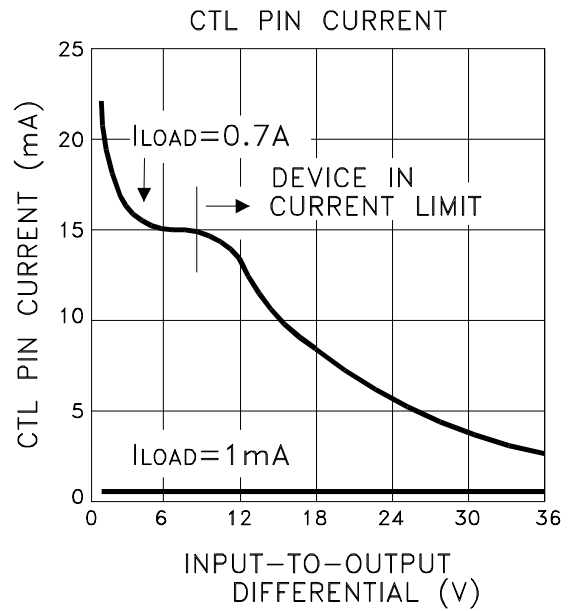
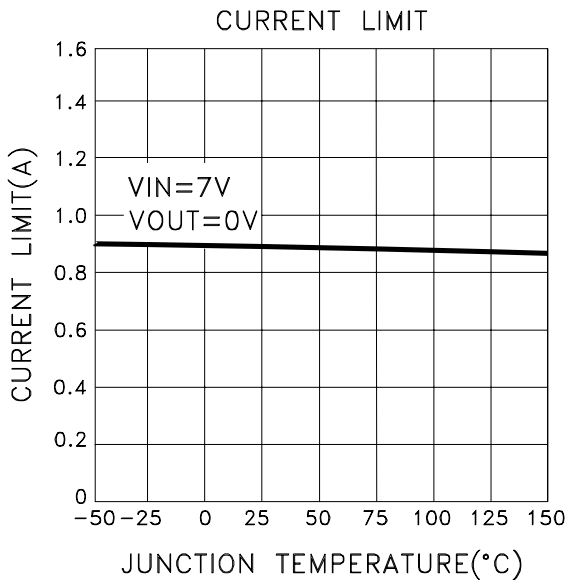
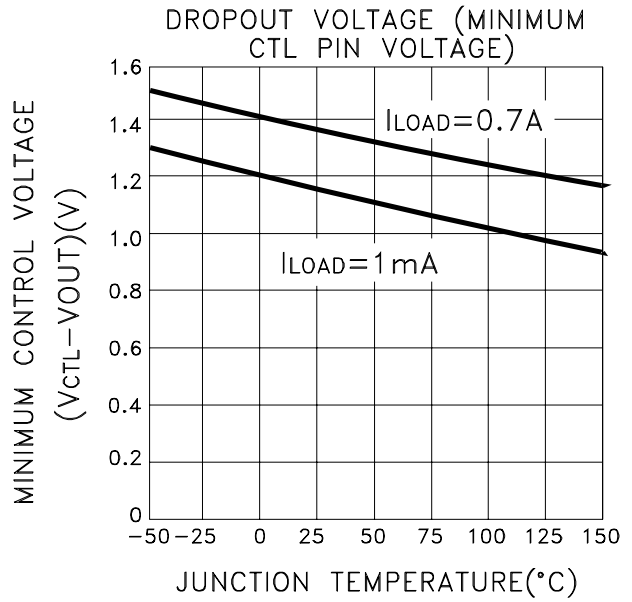
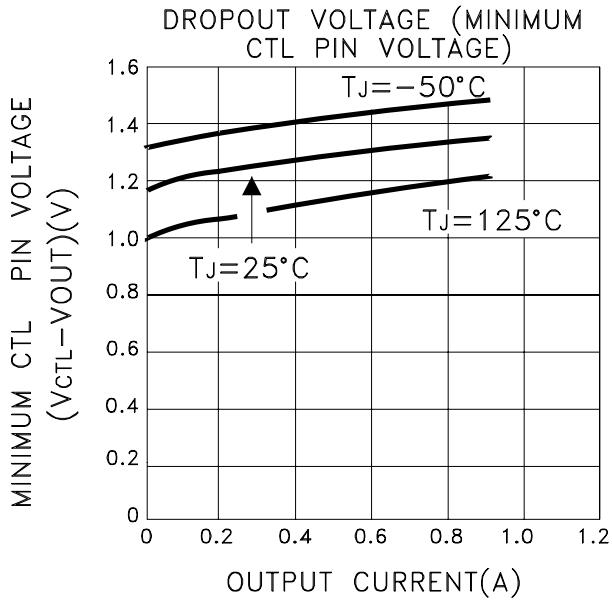
ADDITIONAL APPLICATION INFORMATION

For additional applications information, please reference Linear Technology Corporation's LT3080® and RH3080 data sheets.

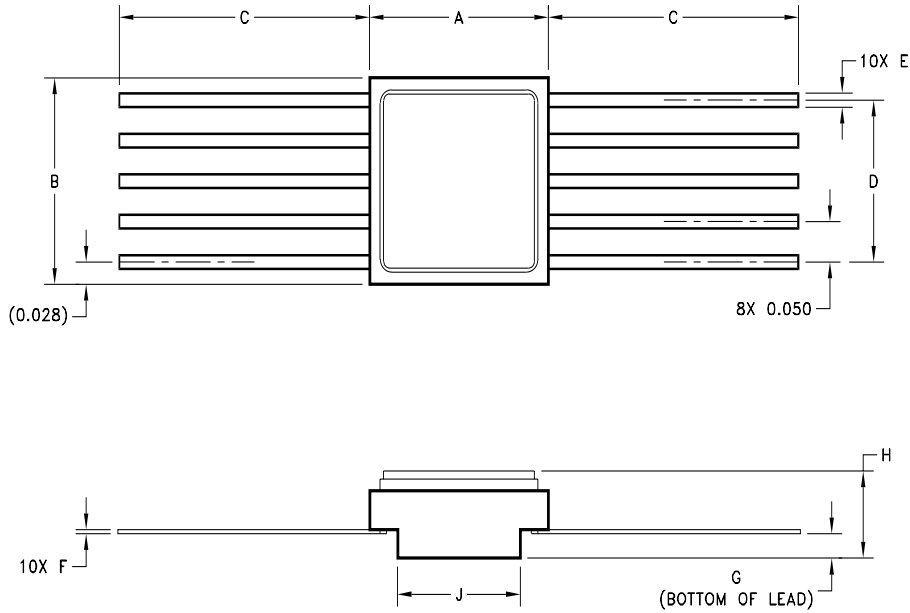
TYPICAL PERFORMANCE CURVES



TYPICAL PERFORMANCE CURVES CONT'D



MECHANICAL SPECIFICATIONS



REF	MIN	MAX
A	0.245	0.265
B	0.245	0.265
C	0.250	
D	0.195	0.205
E	0.015	0.019
F	0.004	0.006
G	0.026	
H		0.115
J	0.170	0.180

ESD TRIANGLE INDICATES PIN 1
WEIGHT = 0.36 GRAMS TYPICAL

ALL DIMENSIONS ARE SPECIFIED IN INCHES

ORDERING INFORMATION

MSK5980 K RH

LEAD CONFIGURATIONS

BLANK = STRAIGHT

RADIATION HARDENED

SCREENING

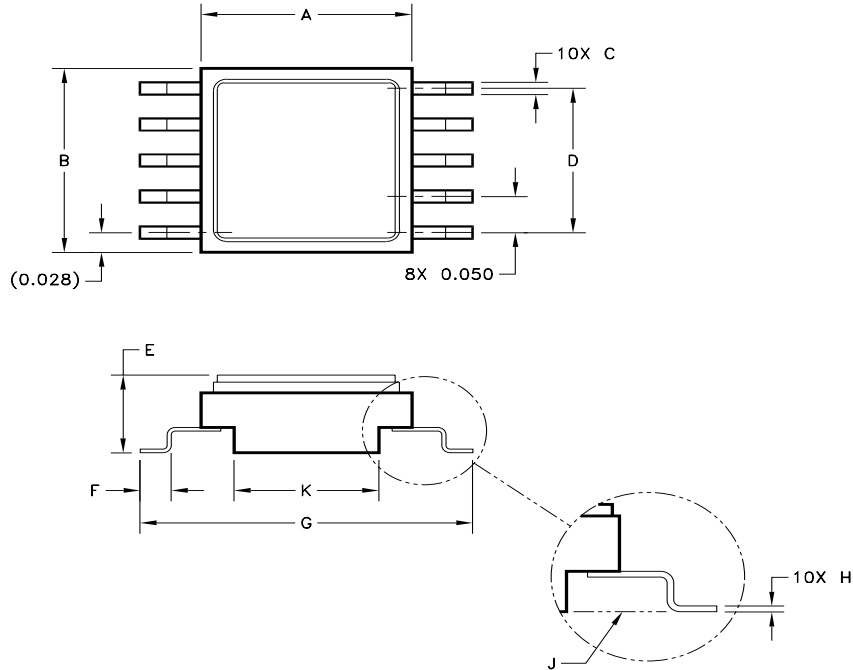
BLANK = INDUSTRIAL; H = MIL-PRF-38534 CLASS H;

K = MIL-PRF-38534 CLASS K

GENERAL PART NUMBER

The above example is a Class K regulator with straight leads.

MECHANICAL SPECIFICATIONS



REF	MIN	MAX
A	0.245	0.265
B	0.245	0.265
C	0.015	0.019
D	0.195	0.205
E		0.115
F	0.0275	0.0475
G	0.390	0.415
H	0.004	0.006
J	-0.005	0.005
K	0.170	0.180

ESD TRIANGLE INDICATES PIN 1
WEIGHT = 0.3 GRAMS TYPICAL

ALL DIMENSIONS ARE SPECIFIED IN INCHES

ORDERING INFORMATION

MSK5980 K RH G

LEAD CONFIGURATIONS

G = GULL WING

RADIATION HARDENED

SCREENING

BLANK = INDUSTRIAL; H = MIL-PRF38534 CLASS H;

K = MIL-PRF-38534 CLASS K

GENERAL PART NUMBER

The above example is a Class K regulator with gull wing lead form.

REVISION HISTORY

REV	STATUS	DATE	DESCRIPTION
A	Released	05/17	Initial Release
B	Released	09/17	Add MSK 5980 VRH option
C	Released	04/18	Update ØJC prior to qualification
D	Released	03/21	Remove MIL-PRF-38535; update all pages to current format
E	Released	03/21	Add option: V = MIL-PRF-38535 CLASS V to Ordering Information on pages 7 & 8.
F	Released	12/21	Remove MIL-PRF-38535

TTM Technologies
www.ttmtech.com

The information contained herein is believed to be accurate at the time of printing. TTM Technologies reserves the right to make changes to its products or specifications without notice, however and assumes no liability for the use of its products. Please visit our website for the most recent revision of this data sheet.